

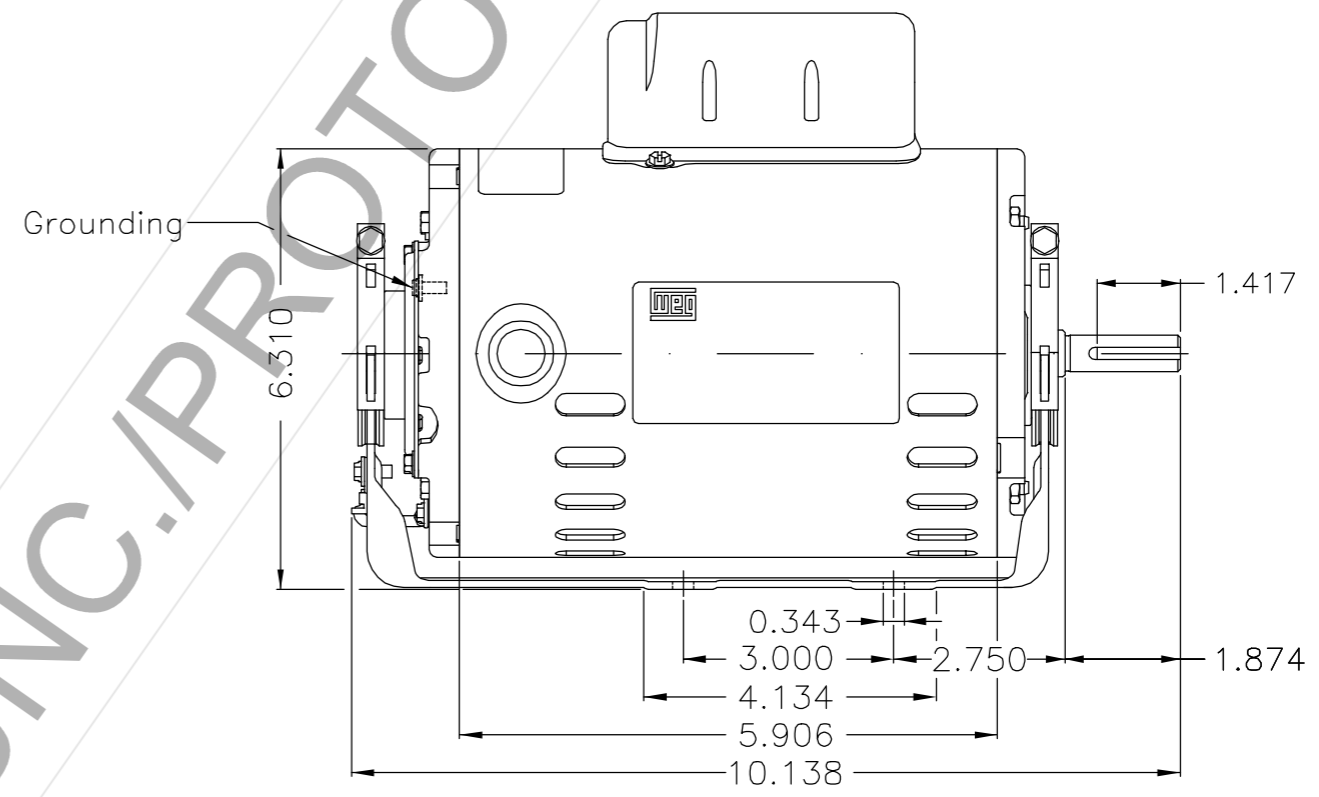
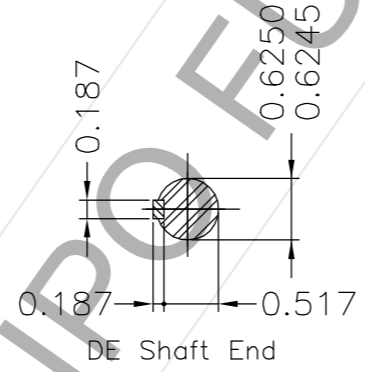
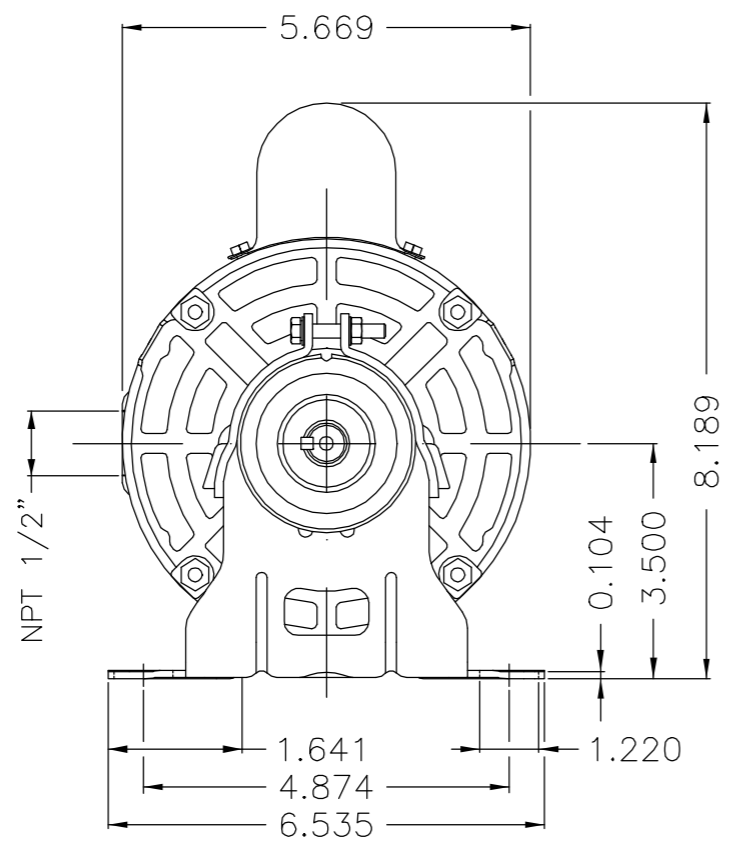
EJE/SHAFT	
ESTÁNDAR/STANDARD	X
OPCIONAL/OPTIONAL	
ESPECIAL/SPECIAL	

Dimensões em polegada
Dimensions in inches

PRELIMINARY DOCUMENT
Not to be used for installation purposes.

THIS IS AN UPDATED REVISION, THE PREVIOUS ONE MUST BE DISREGARDED.

A
B
C
D
E



Protector térmico fenólico - Automático / Phenolic thermal protector - automatic
Forma constructiva B3D / Mounting F-1/B3R(D)
WEG ELECTRIC CORPORATION - WEC

OV: 50005522

500001486992	NEW DOCUMENT	CESTRELLA	ALDOV	ALDOV	07.08.2018	00		
ECM	LOC	SUMMARY OF MODIFICATIONS		EXECUTED	CHECKED	RELEASED	DATE	VER
EXECUTED	CESTRELLA	MOTOR MONO ABIERTO ROLLED STEEL		10005962016				
CHECKED	ALDOV	FRAME W56 ODP		000 00				
RELEASED	ALDOV							
REL DT	07.08.2018	WMX	Huehuetoca	Product Engineering	SHEET	01 / 01		

0.25 HP 04 Poles 60Hz 415150464