

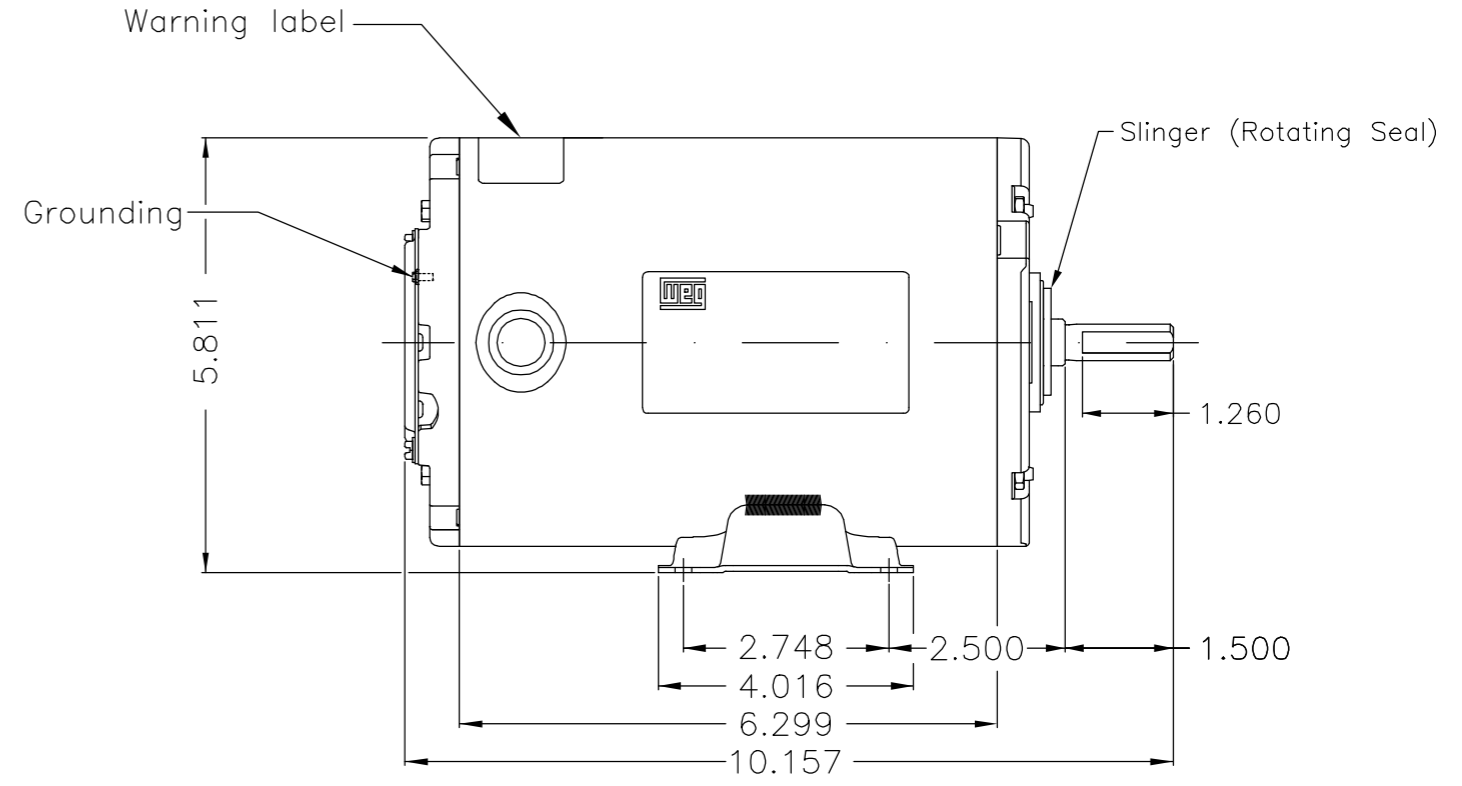
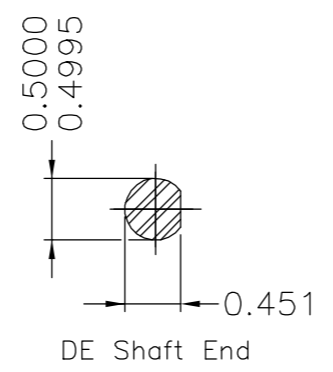
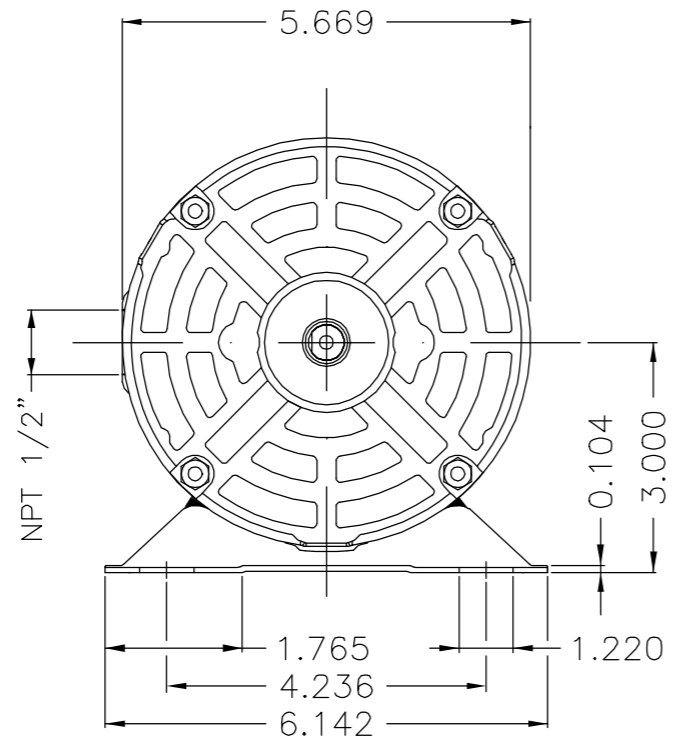
EJE/SHAFT	
ESTÁNDAR/STANDARD	X
OPCIONAL/OPTIONAL	
ESPECIAL/SPECIAL	

Dimensiones en pulgadas  
Dimensions in inches

**PRELIMINARY DOCUMENT**  
Not to be used for installation purposes.

THIS IS AN UPDATED REVISION, THE PREVIOUS ONE MUST BE DISREGARDED.

A  
B  
C  
D  
E



Indicación etiqueta de advertencia/Indicating warning label
Refuerzo de soldadura en el pie / Weld reinforcement on the foot
Anillo de goma en la punta del eje / Slinger ring on shaft end
Protector térmico fenólico - Automático / Phenolic thermal protector - automatic
Color Munsell N 1 negro mate / Color Munsell N 1 matte black
Plan de pintura 207N / Painting plan 207N
Forma constructiva F-1/B3R(D) / Mounting F-1/B3R(D)

**WEG ELECTRIC CORPORATION - WEC**

OV: 21278459

500001834075		ACCORDING TO CLAIM 417517473	HERNANDEZA	MORALESR	MORALESR	16.10.2020	03
500001805468		REUBICATING SLINGER RING	EJESUS				02
ECM	LOC	SUMMARY OF MODIFICATIONS	EXECUTED	CHECKED	RELEASED	DATE	VER
EXECUTED	HERNANDEZA	SINGLE PHASE MOTOR CLOSED ROLLED STEEL FRAME 48 IP55 TEAO	10007680196				
CHECKED	PNAVA		000	03			
RELEASED	PNAVA		SHEET	1 / 1			
REL DT	08.06.2020	WMX	Huehuetoca	Product Engineering			

0.33 HP 04 Poles 60Hz 417337218

UNCONTROLLED COPY  
RELEASED  
ZME A3