

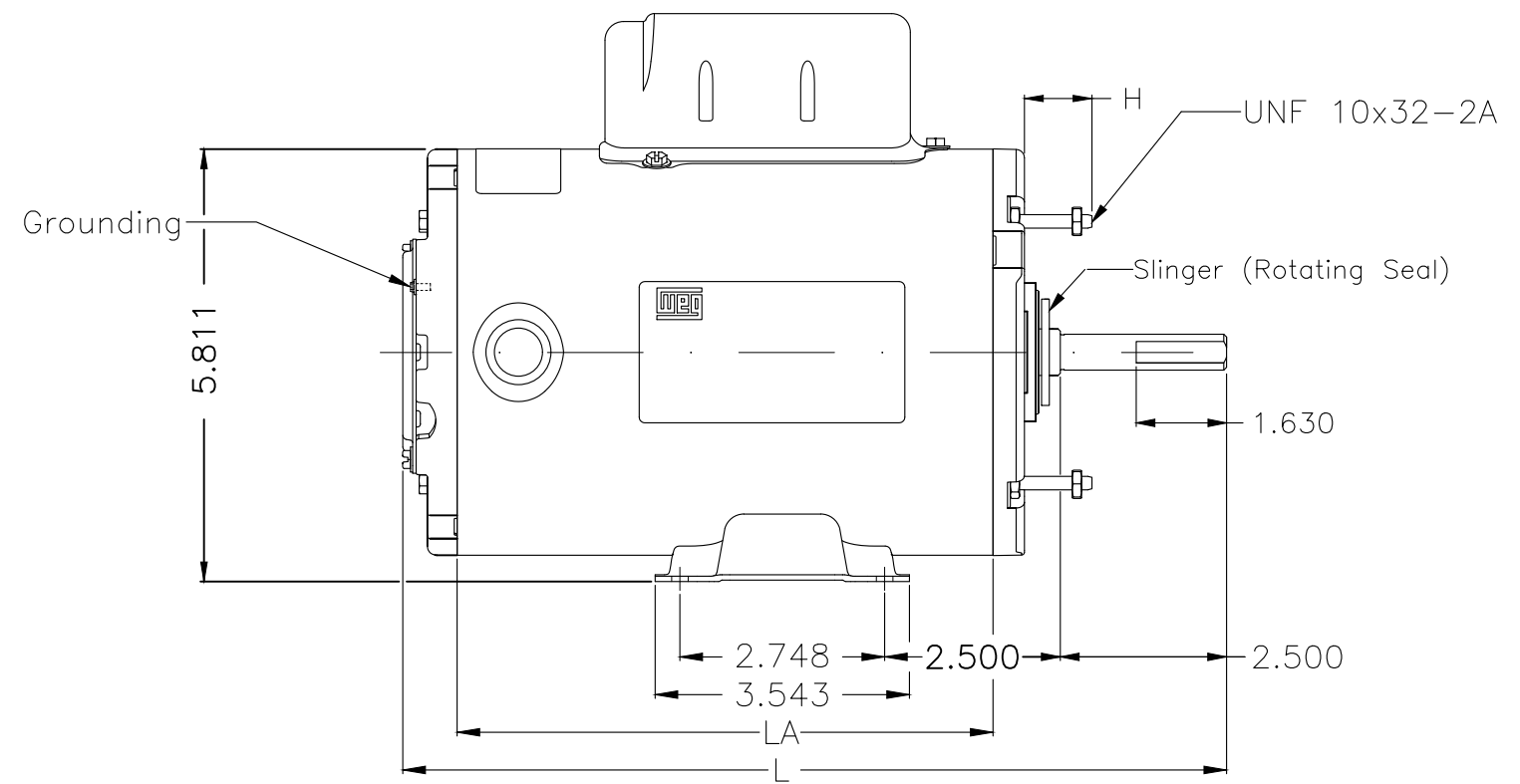
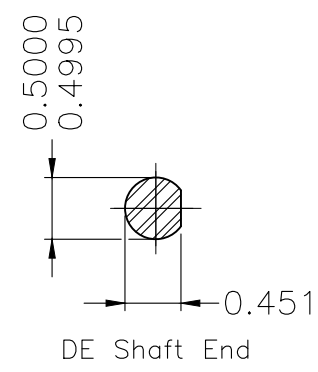
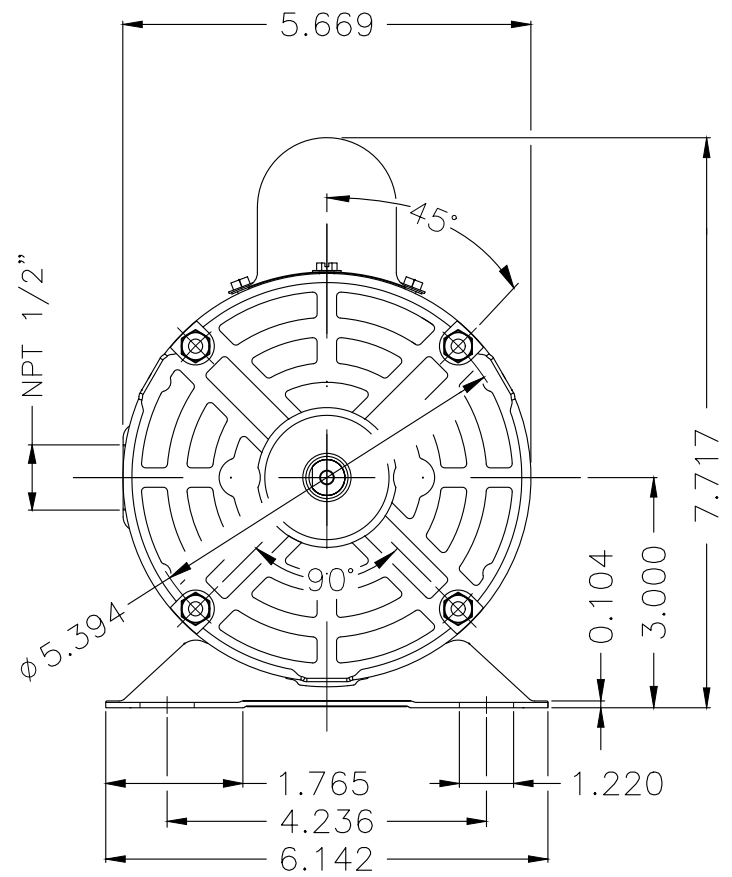
EIXO/SHAFT	
PADRÃO/STANDARD	
OPCIONAL/OPTIONAL	
ESPECIAL/SPECIAL	X

Dimensiones en pulgadas  
Dimensions in inches

**PRELIMINARY DOCUMENT**  
Not to be used for installation purposes.

THIS IS AN UPDATED REVISION, THE PREVIOUS ONE MUST BE DISREGARDED.

A  
B  
C  
D  
E



Anillo de goma en la punta del eje / Slinger ring on shaft end  
 Protector térmico fenólico - Automático / Phenolic thermal protector - automatic  
 Color Munsell N 1 negro mate / Color Munsell N 1 matte black  
 Plan de pintura 207N / Painting plan 207N  
 Forma constructiva F-1/B3R(D) / Mounting F-1/B3R(D)

**WEG ELECTRIC CORPORATION - WEC**

500002810460		ACCORDING TO CLAIM 422520608	ALVAREZZ	PNAVA	CMORALES	20.12.2024	06
500002256409		ACCORDING TO NORMAL RELEASE	PNAVA	ECHARCO	ISAAVEDRA	17.11.2022	05
ECM	LOC	SUMMARY OF MODIFICATIONS	EXECUTED	CHECKED	RELEASED	DATE	VER

EXECUTED	MORALESR		SINGLE PHASE MOTOR CLOSED ROLLED STEEL FRAME 48Z IP55 TEAO	10007869348	
CHECKED	PNAVA			000	06
RELEASED	PNAVA				
REL DT	20.08.2020	WMX	Huehuetoca	Product Engineering	SHEET 1 / 1

				L	LA	H	
0.33 HP	06 Poles	60Hz	417435860	11.735	7.480	1.039	B
0.33 HP	04 Poles	60Hz	417435655	10.554	6.299	1.000	A

UNCONTROLLED COPY  
RELEASED  
ZME A3