

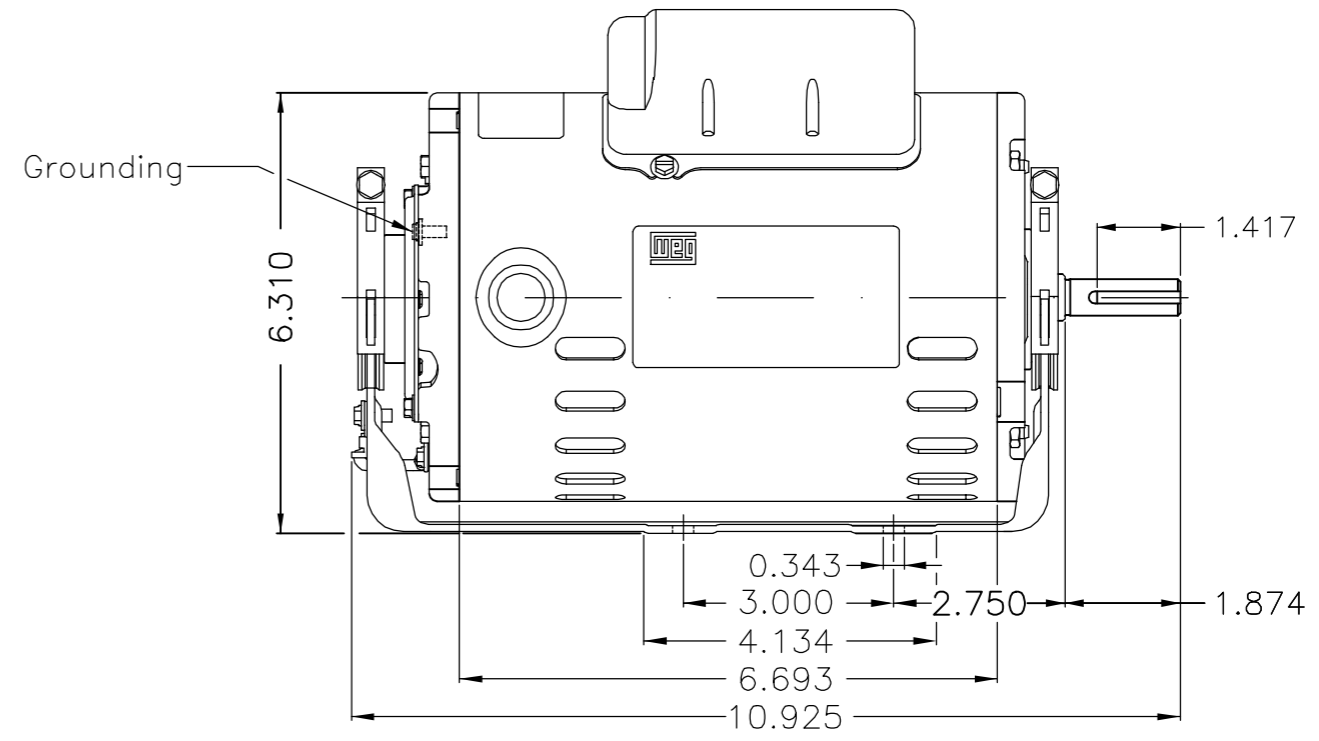
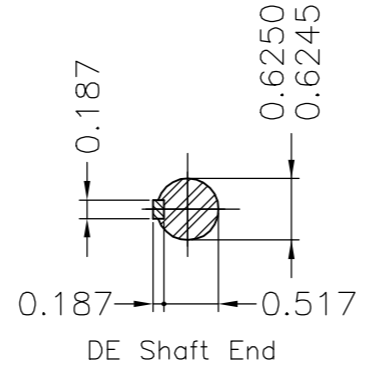
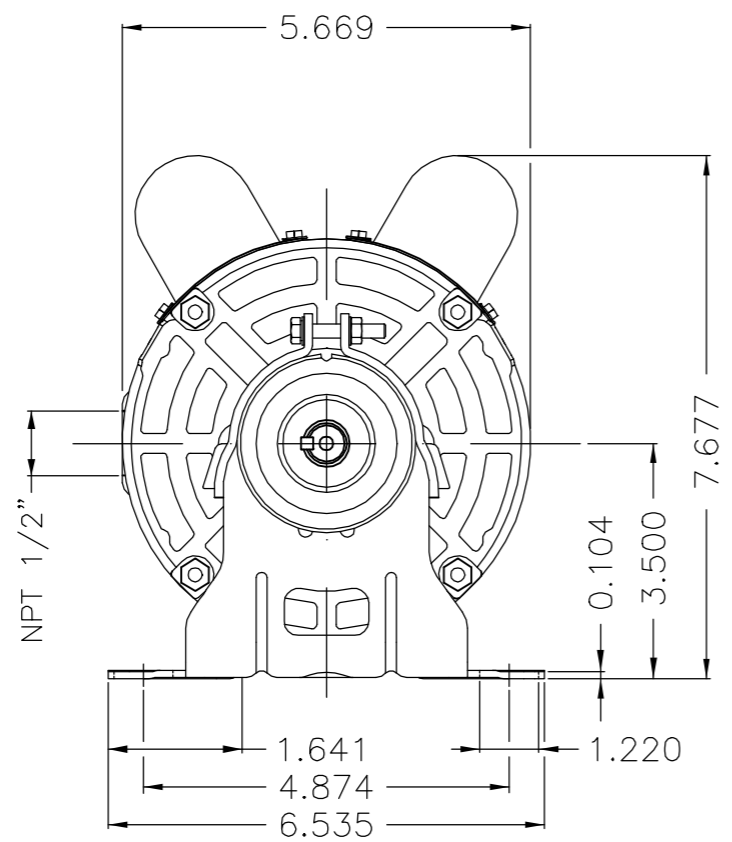
EIXO/SHAFT	
PADRÃO/STANDARD	X
OPCIONAL/OPTIONAL	
ESPECIAL/SPECIAL	

Dimensões em polegada
Dimensions in inches

**CERTIFIED
WEG MOTORES**
Certified document.
Not subject to changes.

THIS IS AN UPDATED REVISION, THE
PREVIOUS ONE MUST BE DISREGARDED.

A
B
C
D
E



Protetor térmico fenólico - automático / Phenolic thermal protector - automatic						
Forma construtiva B3D / Mounting F-1/B3R(D)						
WEG EQUIPAMENTOS ELETRICOS S/A						
500001413856	DOCUMENTO NOVO	JOHNLENNON	EDEMAR	EDEMAR	08.02.2018	00
ECM	LOC	SUMMARY OF MODIFICATIONS	EXECUTED	CHECKED	RELEASED	DATE VER
EXECUTED	JOHNLENNON	SINGLE PHASE ODP ROLLED STEEL FRAME W56 ODP	10005526281			
CHECKED	EDEMAR		000	00		
RELEASED	EDEMAR	REL DT	08.02.2018	WMO	Jaragua do Sul	Product Engineering
			SHEET	01 / 01		

0.33 HP 04 Poles 60Hz 414945966 A

UNCONTROLLED COPY
RELEASED
ZME A3