

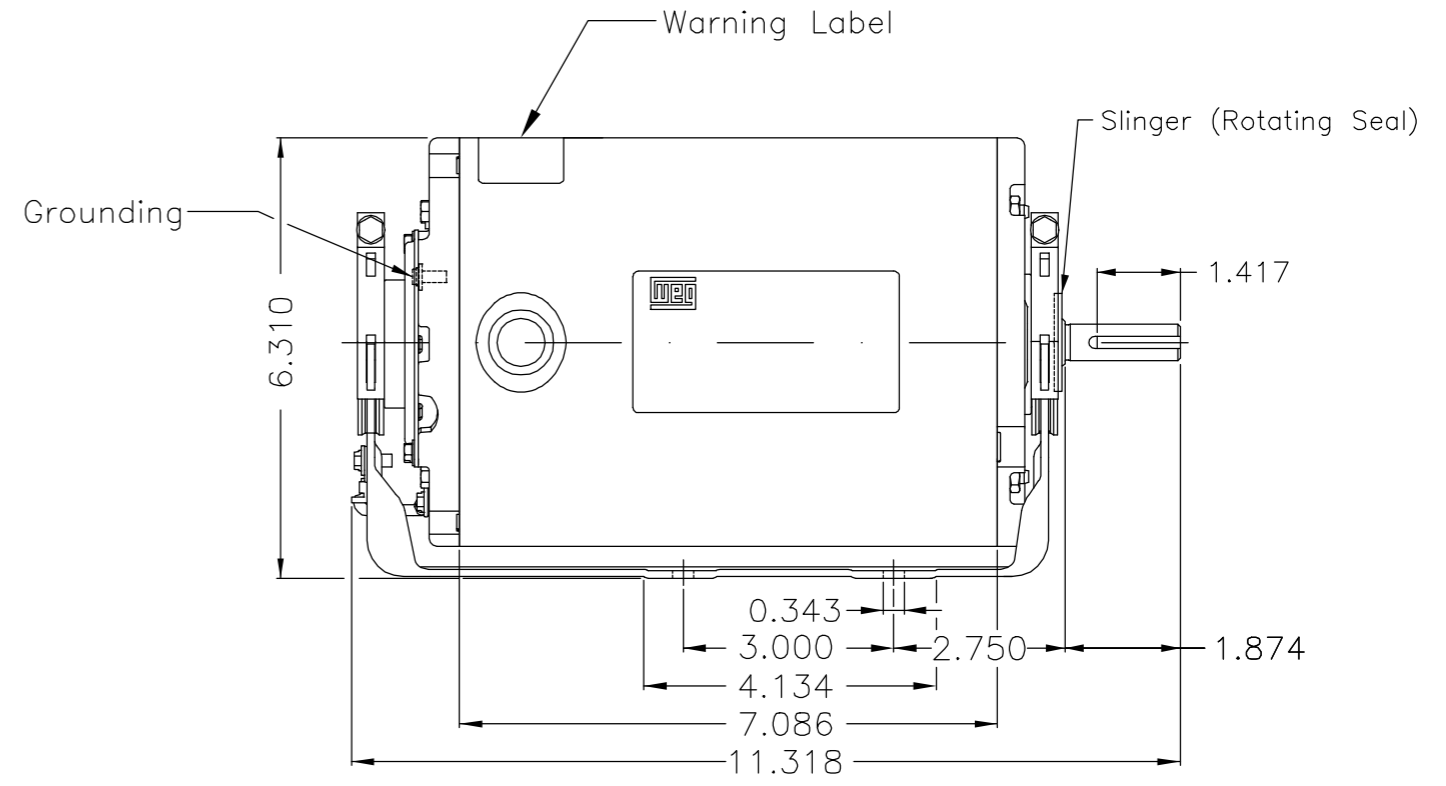
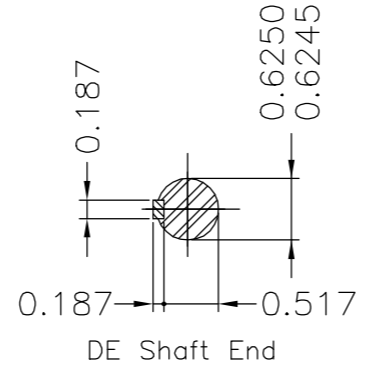
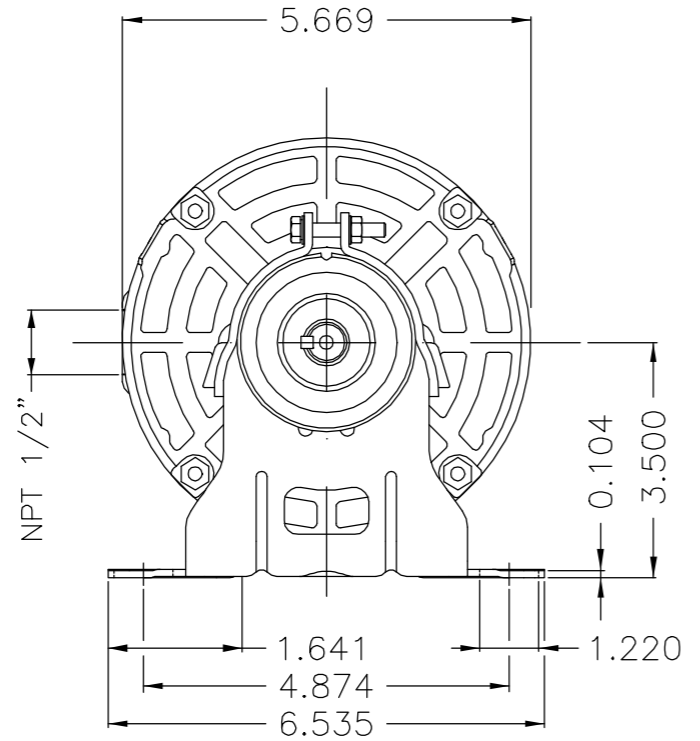
EJE/SHAFT	
ESTÁNDAR/STANDARD	X
OPCIONAL/OPTIONAL	
ESPECIAL/SPECIAL	

Dimensiones en pulgadas
Dimensions in inches

PRELIMINARY DOCUMENT
Not to be used for installation purposes.

THIS IS AN UPDATED REVISION, THE PREVIOUS ONE MUST BE DISREGARDED.

A
B
C
D
E



Indicación de etiqueta de advertencia/Indicating warning label									
Protector térmico fenólico - Automático / Phenolic thermal protector - automatic									
Anillo de goma en la punta del eje / Slinger ring on shaft end									
Color Munsell N 1 negro mate / Color Munsell N 1 matte black									
Plan de pintura 207N / Painting plan 207N									
Forma constructiva B3D / Mounting F-1/B3R(D)									

WEG ELECTRIC CORPORATION - WEC

OV: 50624162

500001803096		CHANGE OF STATUS	EJESUS	ISAAVEDRA	ISAAVEDRA	12.08.2020	02
500001803096		UPDATING ACCORDING TO CLAIM 417429135	EJESUS	HERNANDEZA	HERNANDEZA	12.08.2020	01
ECM	LOC	SUMMARY OF MODIFICATIONS	EXECUTED	CHECKED	RELEASED	DATE	VER
EXECUTED	HERNANDEZA	SINGLE PHASE MOTOR CLOSED ROLLED STEEL FRAME W56 IP55 TEAO	10007696684				
CHECKED	MORALESR		000	02			
RELEASED	MORALESR		SHEET	1 / 1			
REL DT	15.06.2020	WMX	Huehuetoca	Product Engineering			

0.5 HP 04 Poles 60Hz 417346762

UNCONTROLLED COPY
RELEASED
ZME A3