

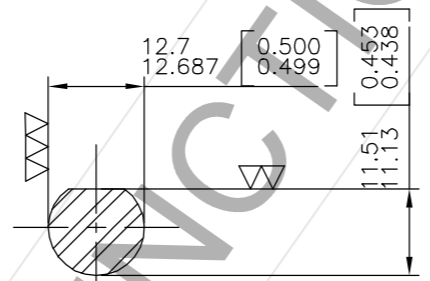
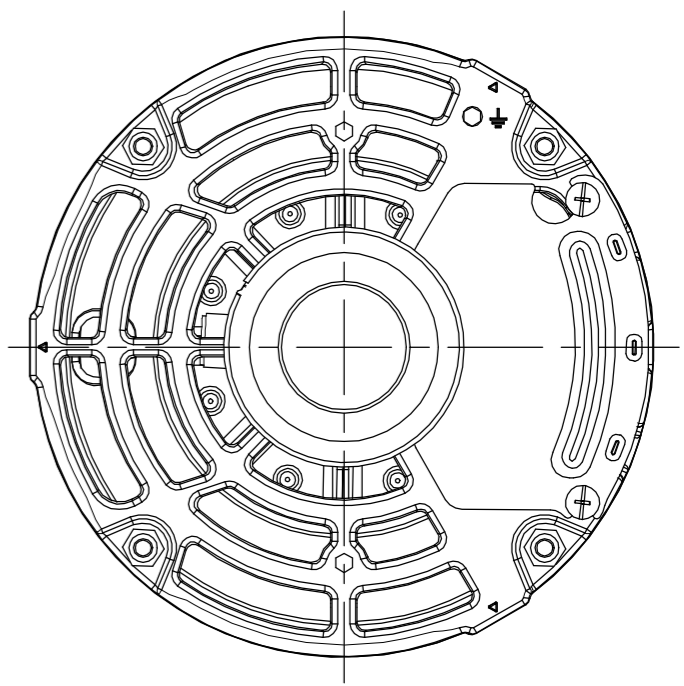
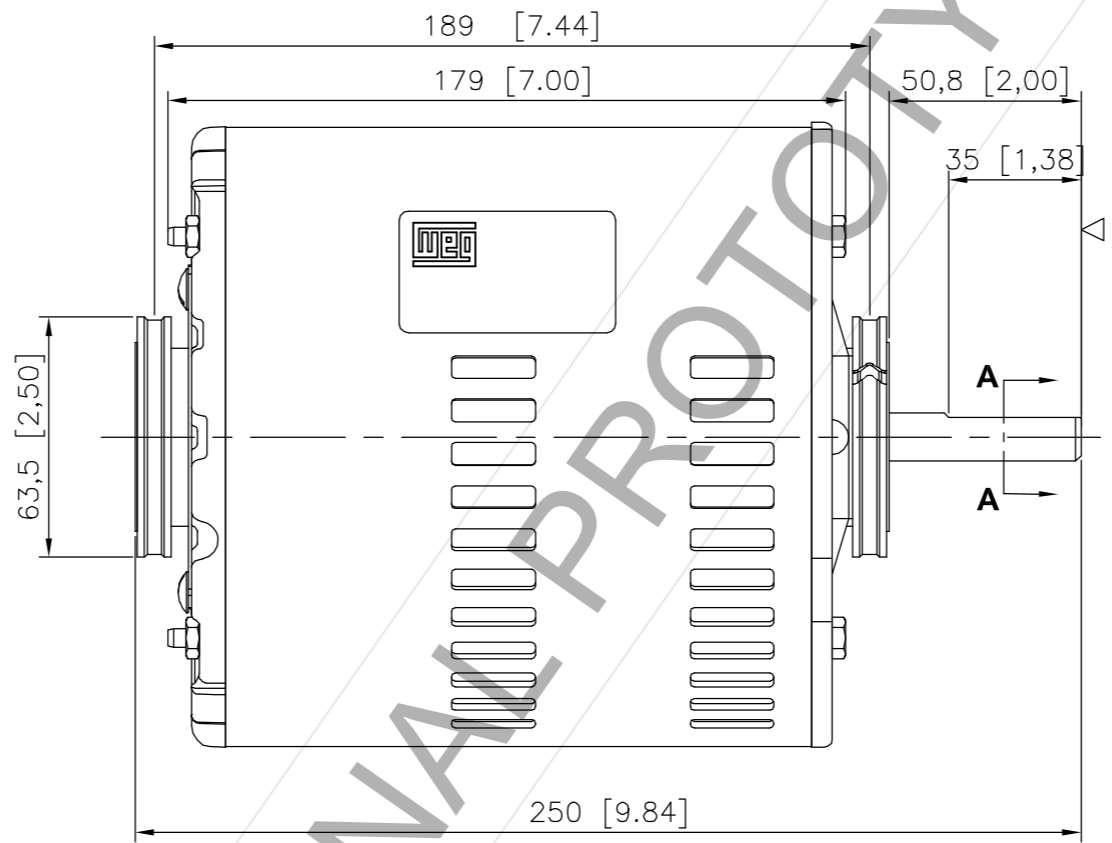
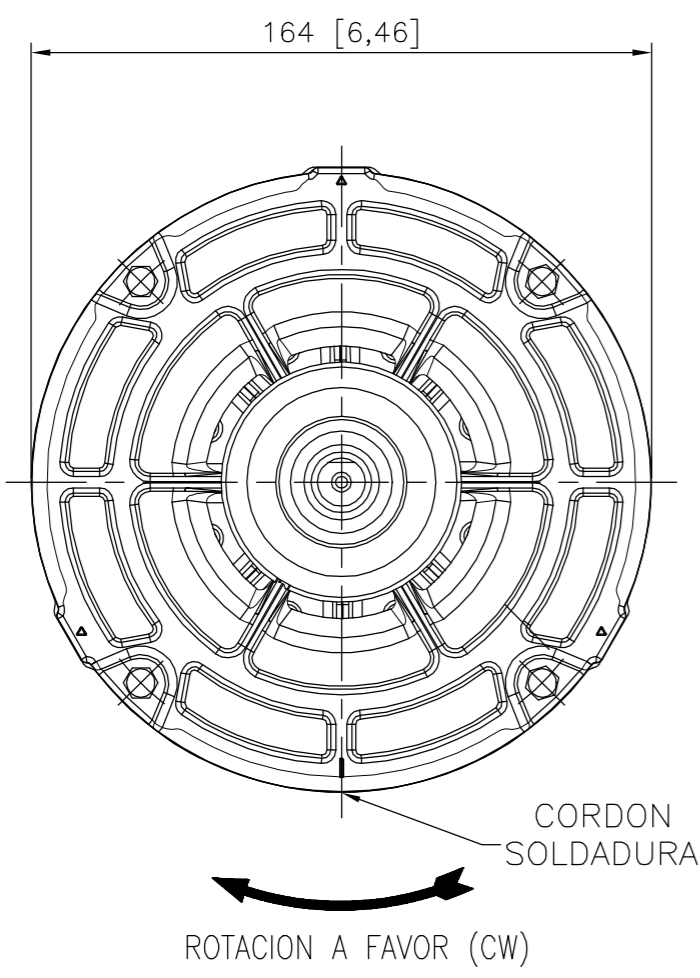
| | |
|-------------------|---|
| EJE/SHAFT | |
| ESTÁNDAR/STANDARD | |
| OPCIONAL/OPTIONAL | |
| ESPECIAL/SPECIAL | X |

Dimensiones en pulgadas
Dimensions in inches

PRELIMINARY DOCUMENT
Not to be used for installation purposes.

THIS IS AN UPDATED REVISION, THE PREVIOUS ONE MUST BE DISREGARDED.

A
B
C
D
E



SECCION **A-A**

| | | | | | | | | | | |
|---|--------------|--|------------|---------------------|------------|-------------|---------|----------|------|-----|
| Material del eje - SAE/ABNT 1040/45 / Shaft material - SAE/ABNT 1040/45 | | | | | | | | | | |
| Sin pintura / Without coating | | | | | | | | | | |
| Forma constructiva B3R(D) / Mounting B3R(D) | | | | | | | | | | |
| WEG INDUSTRIES (INDIA) PVT LTD | | | | | | | | | | |
| 500001780149 | NEW DOCUMENT | HERNANDEZA | MORALESR | MORALESR | 22.06.2020 | 00 | | | | |
| ECM | LOC | SUMMARY OF MODIFICATIONS | | | | EXECUTED | CHECKED | RELEASED | DATE | VER |
| EXECUTED | HERNANDEZA | SINGLE PHASE MOTOR FRAME E56 IP21 ODP | | | | 10007715640 | | | | |
| CHECKED | MORALESR | | | | | 000 | 00 | | | |
| RELEASED | MORALESR | | | | | | | | | |
| REL DT | 22.06.2020 | WMX | Huehuetoca | Product Engineering | SHEET | 01 / 01 | | | | |

1/6/1/2 HP 06/04 Poles 60Hz 417353974