

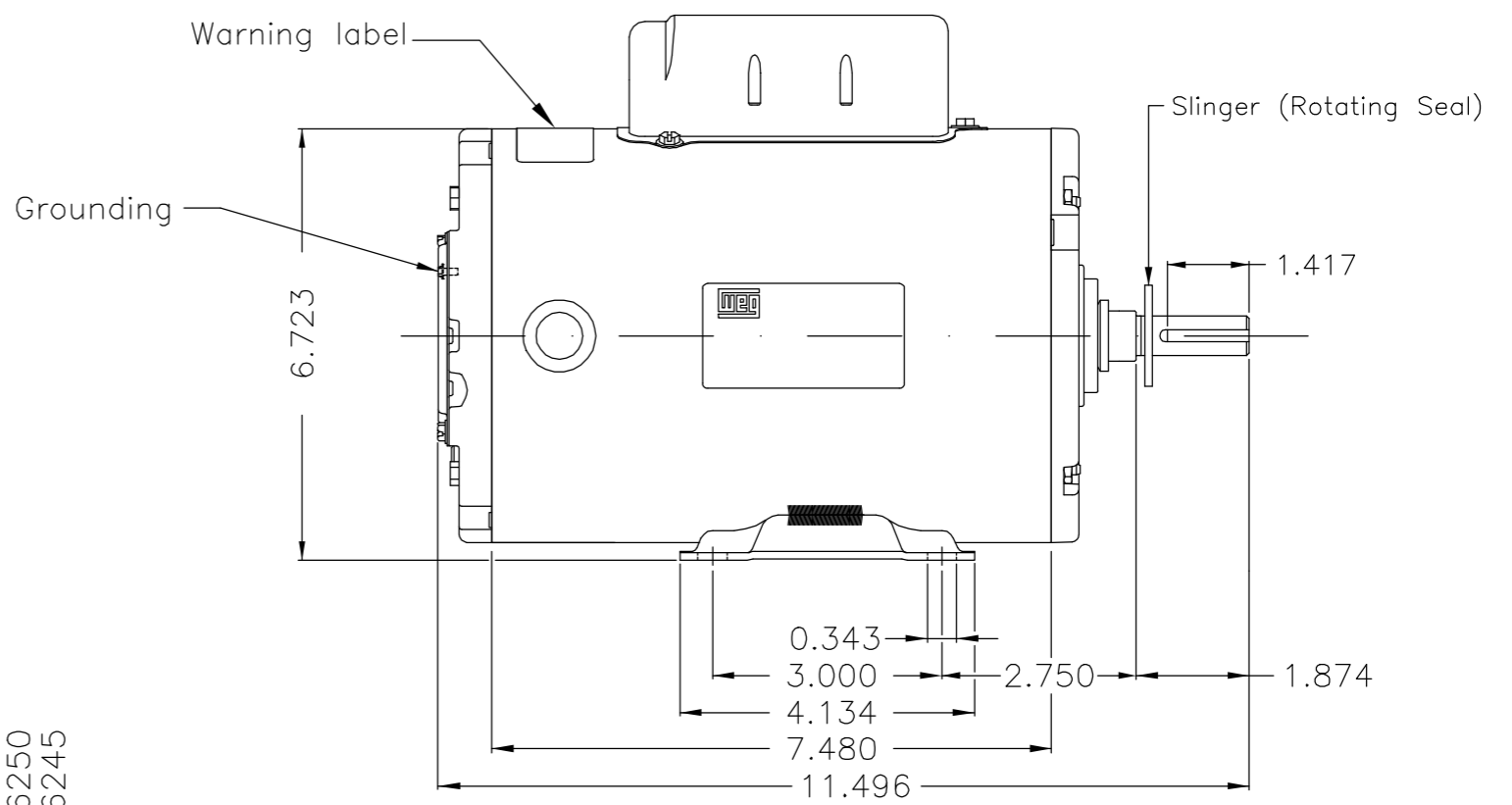
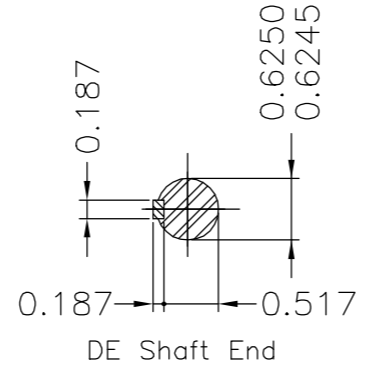
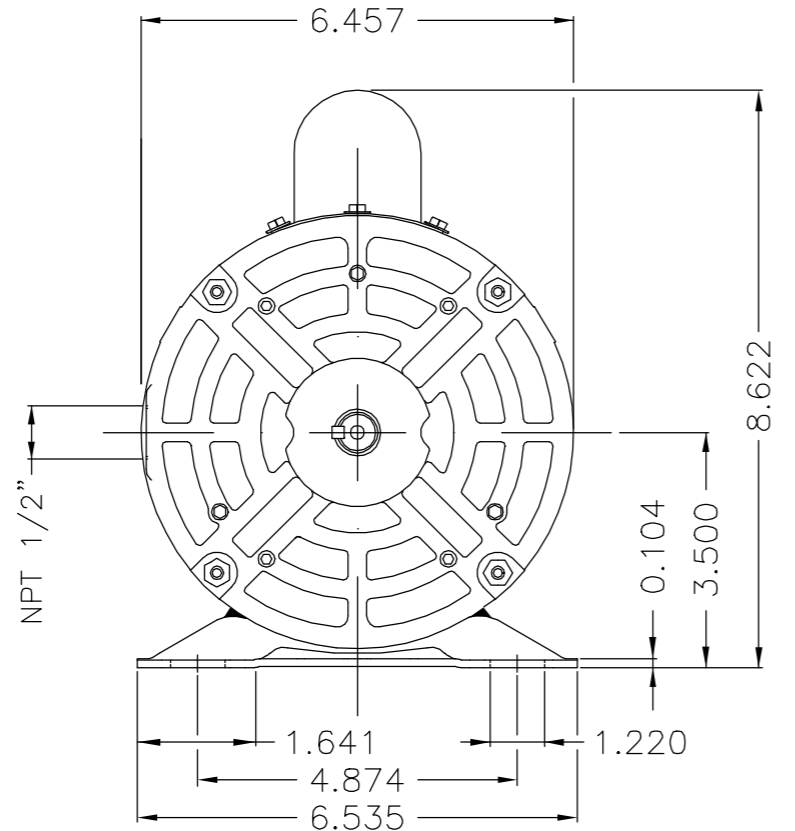
EJE/SHAFT	
ESTÁNDAR/STANDARD	X
OPCIONAL/OPTIONAL	
ESPECIAL/SPECIAL	

Dimensiones en pulgadas
Dimensions in inches

PRELIMINARY DOCUMENT
Not to be used for installation purposes.

THIS IS AN UPDATED REVISION, THE PREVIOUS ONE MUST BE DISREGARDED.

A
B
C
D
E



Indicación etiqueta de advertencia/Indicating warning label	
Refuerzo de soldadura en el pie / Weld reinforcement on the foot	
Protector térmico fenólico - Automático / Phenolic thermal protector - automatic	
Anillo de goma en la punta del eje / Slinger ring on shaft end	
Color Munsell N 1 negro mate / Color Munsell N 1 matte black	
Plan de pintura 207N / Painting plan 207N	
Forma constructiva B3D / Mounting F-1/B3R(D)	

WEG ELECTRIC CORPORATION - WEC

OV: 50624162

500001801243		UPDATE IP RATING ACCORDING 417390210	EJESUS	HERNANDEZA	HERNANDEZA	07.08.2020	04
500001784102		ADJUSTMENT OF TOTAL LENGTH	EJESUS	HERNANDEZA	HERNANDEZA	01.07.2020	03
ECM	LOC	SUMMARY OF MODIFICATIONS	EXECUTED	CHECKED	RELEASED	DATE	VER
EXECUTED	DOMINGUEZI	SINGLE PHASE MOTOR CLOSED ROLLED STEEL FRAME 56 IP55 TEAO	10007565066				
CHECKED	PISAEUSER						
RELEASED	PISAEUSER						
REL DT	21.04.2020	WMX	Huehuetoca	Product Engineering	SHEET	1 / 1	

0.75 HP 04 Poles 60Hz 417282736

UNCONTROLLED COPY

RELEASED

ZME A3