

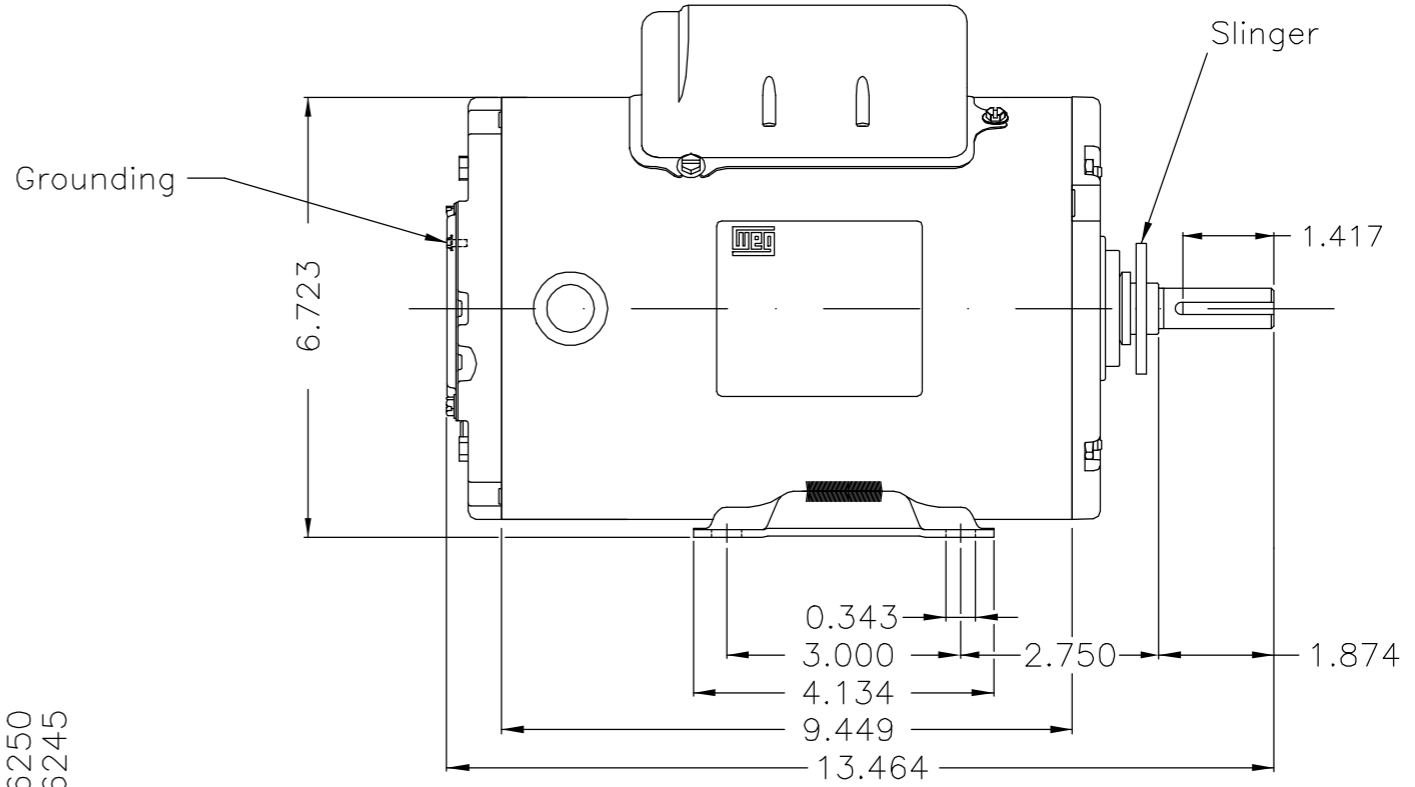
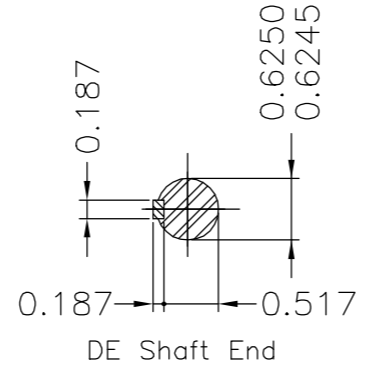
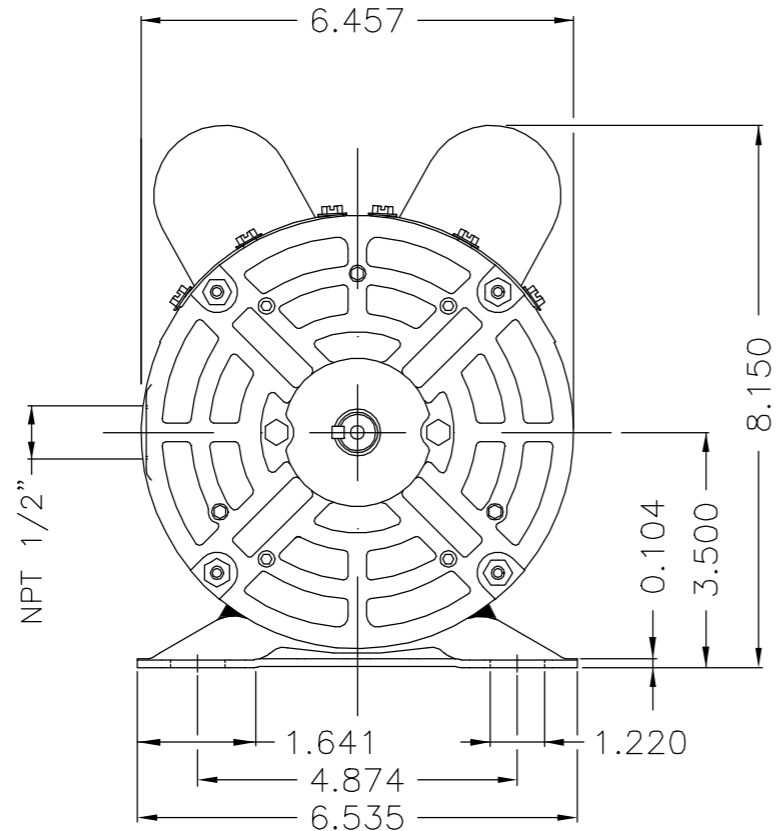
EIXO/SHAFT	
PADRÃO/STANDARD	X
OPCIONAL/OPTIONAL	
ESPECIAL/SPECIAL	

Dimensiones en pulgadas
Dimensions in inches

PRELIMINARY DOCUMENT
Not to be used for installation purposes.

THIS IS AN UPDATED REVISION, THE PREVIOUS ONE MUST BE DISREGARDED.

A
B
C
D
E



Refuerzo de soldadura en el pie / Weld reinforcement on the foot
Slinger en la delantera / DE Slinger
Protector térmico fenólico - Automático / Phenolic thermal protector - automatic
Color Munsell N 1 negro mate / Color Munsell N 1 matte black
Plan de pintura 207N / Painting plan 207N
Forma constructiva F-1/B3R(D) / Mounting F-1/B3R(D)

WEG ELECTRIC CORPORATION - WEC

OV: 21256907

500002061903		Alterado conf. ECM	LMERLO	CAI02	CAI02	24.01.2022	07
500001801243		UPDATE IP RATING ACCORDING 417390210	EJESUS	HERNANDEZA	HERNANDEZA	07.08.2020	06
ECM	LOC	SUMMARY OF MODIFICATIONS	EXECUTED	CHECKED	RELEASED	DATE	VER
EXECUTED	MORALESR	SINGLE PHASE MOTOR CLOSED ROLLED STEEL FRAME 56 IP55 TEAO	10007507617				
CHECKED	PNAVA		000	07			
RELEASED	PNAVA						
REL DT	24.03.2020	WMX	LINHARES	ENGENHARIA DO PRODUTO	SHEET	1 / 1	

1 HP 04 Poles 60Hz 417252226

UNCONTROLLED COPY

RELEASED

ZME A3