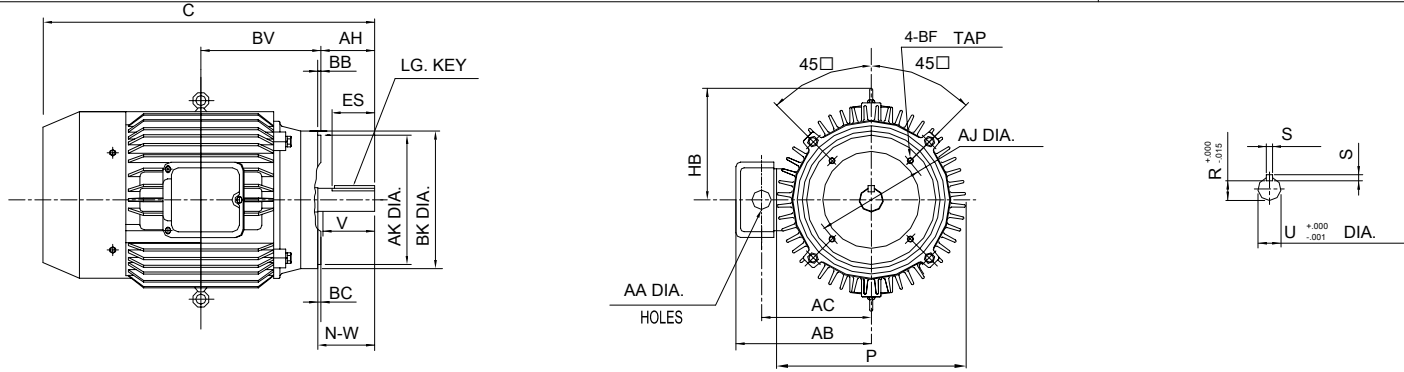


INDEX	SAS001197
REV. LEVEL	1
SHEET	1 OF 1



UNITS: INCHES

FRAME SIZE	FLANGE						
	AJ	AK	BB	BC	BK	BF TAP	BV
284TC/TSC	9.000	10.500	0.25	0.25	11.25	1/2"-13UNC	9.24
286TC/TSC	9.000	10.500	0.25	0.25	11.25	1/2"-13UNC	10.50

FRAME SIZE	MOTOR DIMENSIONS		CONDUIT BOX			
	C	HB	AA	AB	AC	P
284TC	26.9	10.24	2.48	13.98	11.0	15.67
286TC	28.4	10.24	2.48	13.98	11.0	15.67
284TSC	25.53	10.24	2.48	13.98	11.0	15.67
286TSC	27.03	10.24	2.48	13.98	11.0	15.67

NOTES:

- DIMENSION V REPRESENTS LENGTH OF STRAIGHT PART OF SHAFT.
- CONDUIT BOX MAY BE ROTATED IN 90° INCREMENTS AND MAY BE MOUNTED ON OPPOSITE SIDE ON SPECIAL ORDER.
- "T" KEY DIMENSIONS EQUAL S x S x 3.25  
"TS" KEY DIMENSIONS EQUAL S x S x 1.88  
(MOTOR SUPPLIED WITH KEY)
- MOTOR WEIGHT SHOWN IS MAXIMUM HORSEPOWER IN FRAME.

FRAME SIZE	SHAFT EXTENSION				KEY SEAT			BEARINGS		MAXIMUM WEIGHT
	AH	N-W	V	U	R	S	ES	LS	OS	
284TC/286TC	4.38	4.62	4.38	1.875	1.591	0.500	3.28	6310ZZ	6210ZZ	419 lbs.
284TSC/286TSC	3.00	3.25	3.00	1.625	1.416	0.375	1.91	6310ZZ	6210ZZ	401 lbs.

ALL DATA SUBJECT TO CHANGE WITHOUT NOTICE FOR CONSTRUCTION USE ONLY CERTIFIED DATA

**CERTIFIED DATA**

CUSTOMER: \_\_\_\_\_ P.O. NO.: \_\_\_\_\_ TAG NO.: \_\_\_\_\_  
 MOTOR MODEL NO.: **0304FTSA24A-P** TOSHIBA FILE NO.: \_\_\_\_\_  
 HP: **30** RPM (SYN.): **1800** VOLTAGE: **230/460** Hz: **60**  
 FRAME SIZE: **286TC** LOG NO.: \_\_\_\_\_ LOG REV. LEVEL: \_\_\_\_\_  
 REMARKS: \_\_\_\_\_  
 PER: \_\_\_\_\_ ISSUE DATE: \_\_\_\_\_ SUPERSEDES: \_\_\_\_\_

<b>TOSHIBA/HOUSTON</b>
<b>TOTALLY-ENCLOSED FAN-COOLED C-FACE FLANGE Fr. 284TC-286TC Fr. 284TSC-286TSC</b>
SAS001197

**TOSHIBA INTERNATIONAL CORPORATION**  
**Industrial Division / Houston Motor Plant**

**SQUIRREL CAGE INDUCTION MOTOR  
 PERFORMANCE SPECIFICATIONS**

INDEX	MPCF-1033
SHEET NO.	1 of 1
ISSUED	11/08/96
SUPERSEDES	10/06/95
REVISION	1
WRITTEN BY	R. EVANS
APPROVED BY	<i>Jay Bugbee</i>

Customer Tag:

CUSTOMER:  
 TIC SR No.:  
 Customer PO:

**MOTOR NAMEPLATE DATA**

H.P.: 30	VOLTS: 230/460	3 Ø / 60	Hz	S. RPM: 1800
FRAME: 286TC	ENCL: TEFC	FLAMPS: 73.00/36.50		FLRPM: 1755
FORM: FCKL1	S.F.: 1.15	NEMA DESIGN: B		INSUL CLASS: F
TYPE: TIKK	AMB.: 40	CODE: G		DUTY: CONT.
MODEL No.: 0304FTSA24A-P		kW:		Serial No.:
NOM. EFF.:	MIN. EFF.:	P.F.:91		

<b>AMPERAGE</b> Locked Rotor: 217.5	<b>TORQUES</b> FULL LOAD (lb-ft.): 89.4 LOCKED ROTOR (%): 200 BREAK DOWN (%): 260	<b>** BEARINGS:</b> Drive End: 6310ZZ Opposite Drive End: 6210ZZ
--	--	--

<b>EFFICIENCY (%)</b> FULL LOAD: 92.4 3/4 LOAD: 92.0 1/2 LOAD: 91.0	<b>POWER FACTOR (%)</b> FULL LOAD: 87.0 3/4 LOAD: 85.0 1/2 LOAD: 79.0
--	--

ALL CHARACTERISTICS ARE AVERAGE EXPECTED VALUES BASED UPON RATED VOLTAGE, FREQUENCY AND SINEWAVE POWER INPUT.

\* TEMPERATURE RISE WILL BE CONSISTENT WITH INSULATION, AMBIENT AND SERVICE FACTOR AS DEFINED BY NEMA-MG-12.43 OR -20.40.

\*\* BEARINGS ARE THE ONLY RECOMMENDED SPARE PART(S).

**CERTIFIED BY:**  
**DATE:**

**TOSHIBA**

Reliability in Motion

**TOSHIBA INTERNATIONAL CORPORATION**

INDUSTRIAL DIVISION

PO BOX 40906

HOUSTON TX 77240

(713) 466-0277

(800) 231-1412

FAX (713) 466-8773

**SPARE PARTS (RECOMMENDED)**

OTHER THAN THE GREASE USED FOR RE-GREASABLE BEARINGS, **TOSHIBA** ADVISES THAT THERE ARE NO "USE" PARTS. THE ONLY INSURANCE SPARES THAT **TOSHIBA** SUGGESTS FOR THESE SQUIRREL CAGE INDUCTION MOTORS ARE INDUSTRY STANDARD, AND COMMERCIALY AVAILABLE ANTI-FRICTION BEARINGS, AS NOTED BELOW.

MOTOR COMPONENTS (SUCH AS TERMINAL BOXES, FAN COVERS, MACHINED PARTS) ARE AVAILABLE UPON SPECIAL REQUEST. IN THIS CASE, PLEASE ADVISE OUR ORDER ENTRY DEPARTMENT THE MODEL AND SERIAL NUMBERS (FOUND ON THE MOTOR NAMEPLATE) , AND A DESCRIPTION OF THE COMPONENT REQUIRED. THEY WILL THEN FURNISH THE CURRENT PART NUMBER, PRICE AND AVAILABILITY.

(NOTE: OUR INTERNAL PART NUMBERS ARE SUBJECT TO CHANGE WITHOUT NOTICE, AND ARE NOT PUBLISHED).

PLEASE ADVISE IF YOU HAVE ANY QUESTIONS.

CUSTOMER:  
PURCHASE ORDER #  
Customer Tag:

TOSHIBA FILE #  
MODEL # 0304FTSA24A-P  
HP / RPM / ENCL / FRAME: 30 / 1800 / TEFC / 286TC  
DRIVE END BEARING: 6310ZZ  
OPPOSITE DRIVE END BEARING: 6210ZZ

**Prepared By:**  
**Date:**