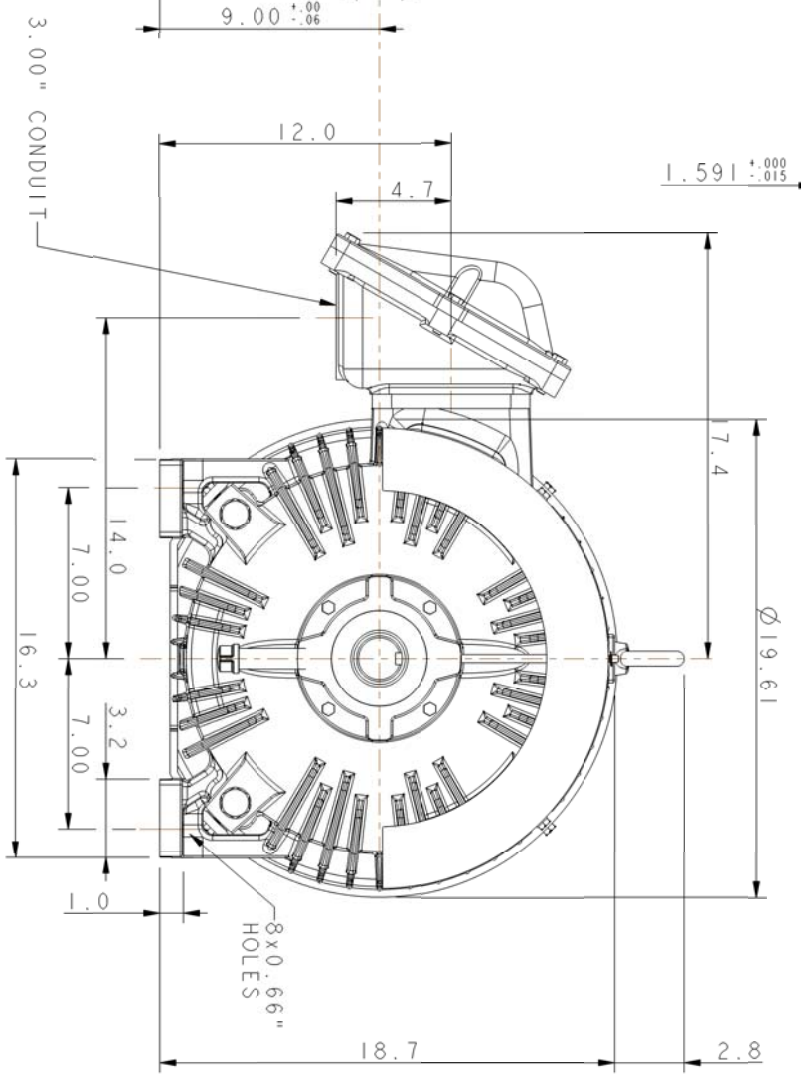
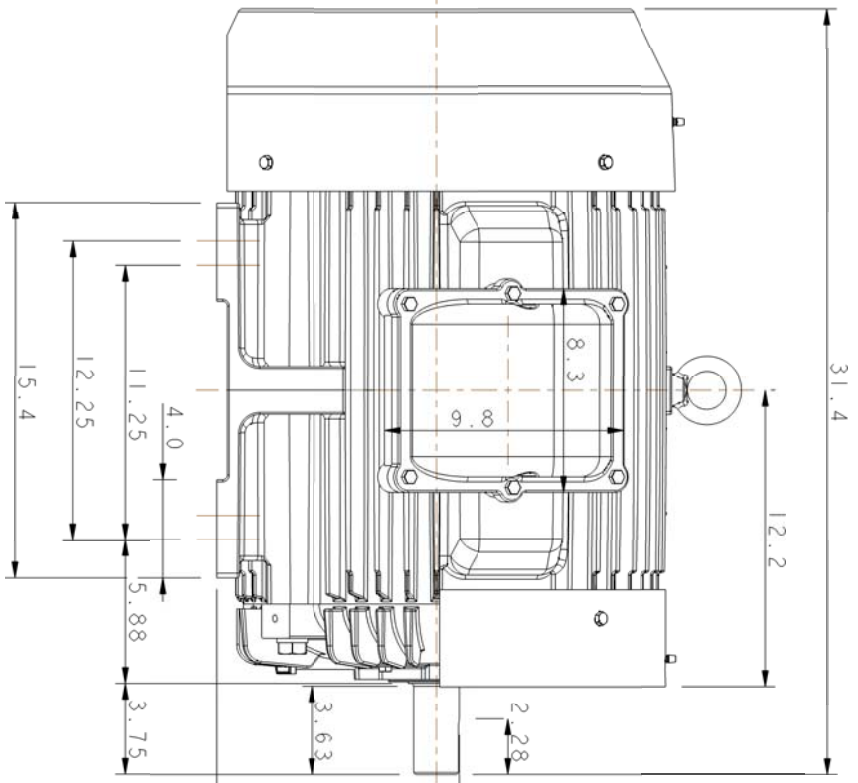
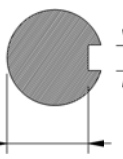


-.500 ^{+0.002}
-.000



- NOTES:
1. MAIN CONDUIT BOX MAY BE ROTATED IN 90° INCREMENTS
 2. STANDARD PRODUCT USE BI-DIRECTIONAL FAN, OPPOSITE ROTATION AVAILABLE ONLY BY CONNECTION CHANGE.
 3. KEY DIMENSIONS EQUAL 0.5"x0.5"x2" (MOTOR SUPPLIED WITH KEY)

UNITS: INCHES

TOSHIBA RESERVES THE RIGHT TO MAKE CHANGES OF TECHNICAL IMPROVEMENT WITHOUT NOTICE. DO NOT USE FOR CONSTRUCTION, INSTALLATION, OR APPLICATION PURPOSES UNLESS THE DRAWING IS CERTIFIED.

**360TS TEXP FRAME
F1 ASSEMBLY**

MDSLVB01-07

TOSHIBA
TOSHIBA INTERNATIONAL CORPORATION

TOLERANCES	
X	.1
.XX	.03
.XXX	.005
.XXXX	.0005
MAXIMUM MOTOR WEIGHT	
lbs.	
kgs.	

NO	FIRST ISSUE	REVISION
0		

DRAWN BY	CHECK BY	APPROVED BY	DATE	CHECK
S. CLANCY			10/02/12	

**EQP Global XP
XT SERIES**

DRAWN BY: S. CLANCY
CHECK BY:
APPROVED BY:
www.toshiba.com/ind

TOSHIBA INTERNATIONAL CORPORATION
Industrial Division / Houston Motor Plant

**SQUIRREL CAGE INDUCTION MOTOR
 PERFORMANCE SPECIFICATIONS**

INDEX	MPCF-1033
SHEET NO.	1 of 1
ISSUED	11/08/96
SUPERSEDES	10/06/95
REVISION	1
WRITTEN BY	R. EVANS
APPROVED BY	<i>Jay Bugbee</i>

Customer Tag:

CUSTOMER:
 TIC SR No.:
 Customer PO:

MOTOR NAMEPLATE DATA

H.P.: 60	VOLTS: 230/460	3 Ø / 60	Hz	S. RPM: 3600
FRAME: 364TS	ENCL: TEFC	FLAMPS: 138/69		FLRPM: 3550
FORM: FCK1XX	S.F.: 1.15	NEMA DESIGN: B		INSUL CLASS: F
TYPE: TKKH	AMB.: 40C	CODE: G		DUTY: CONT.
MODEL No.: 0602XPEA41B		kW: 45		Serial No.:
NOM. EFF.: 93.6	MIN. EFF.:	P.F.: 89.0		

AMPERAGE Locked Rotor: 868/434	TORQUES FULL LOAD (lb-ft.): 88.7 LOCKED ROTOR (%): 204 BREAK DOWN (%): 258	** BEARINGS: Drive End: 6312C3 Opposite Drive End: 6312C3
---	---	--

EFFICIENCY (%) FULL LOAD: 93.6 3/4 LOAD: 93.0 1/2 LOAD: 91.1	POWER FACTOR (%) FULL LOAD: 89.9 3/4 LOAD: 88.5 1/2 LOAD: 84.6
---	---

ALL CHARACTERISTICS ARE AVERAGE EXPECTED VALUES BASED UPON RATED VOLTAGE, FREQUENCY AND SINEWAVE POWER INPUT.

* TEMPERATURE RISE WILL BE CONSISTENT WITH INSULATION, AMBIENT AND SERVICE FACTOR AS DEFINED BY NEMA-MG-12.43 OR -20.40.

** BEARINGS ARE THE ONLY RECOMMENDED SPARE PART(S).

CERTIFIED BY:
DATE:

TOSHIBA

Reliability in Motion

TOSHIBA INTERNATIONAL CORPORATION

INDUSTRIAL DIVISION

PO BOX 40906

HOUSTON TX 77240

(713) 466-0277

(800) 231-1412

FAX (713) 466-8773

SPARE PARTS (RECOMMENDED)

OTHER THAN THE GREASE USED FOR RE-GREASABLE BEARINGS, **TOSHIBA** ADVISES THAT THERE ARE NO "USE" PARTS. THE ONLY INSURANCE SPARES THAT **TOSHIBA** SUGGESTS FOR THESE SQUIRREL CAGE INDUCTION MOTORS ARE INDUSTRY STANDARD, AND COMMERCIALY AVAILABLE ANTI-FRICTION BEARINGS, AS NOTED BELOW.

MOTOR COMPONENTS (SUCH AS TERMINAL BOXES, FAN COVERS, MACHINED PARTS) ARE AVAILABLE UPON SPECIAL REQUEST. IN THIS CASE, PLEASE ADVISE OUR ORDER ENTRY DEPARTMENT THE MODEL AND SERIAL NUMBERS (FOUND ON THE MOTOR NAMEPLATE) , AND A DESCRIPTION OF THE COMPONENT REQUIRED. THEY WILL THEN FURNISH THE CURRENT PART NUMBER, PRICE AND AVAILABILITY.

(NOTE: OUR INTERNAL PART NUMBERS ARE SUBJECT TO CHANGE WITHOUT NOTICE, AND ARE NOT PUBLISHED).

PLEASE ADVISE IF YOU HAVE ANY QUESTIONS.

CUSTOMER:
PURCHASE ORDER #
Customer Tag:

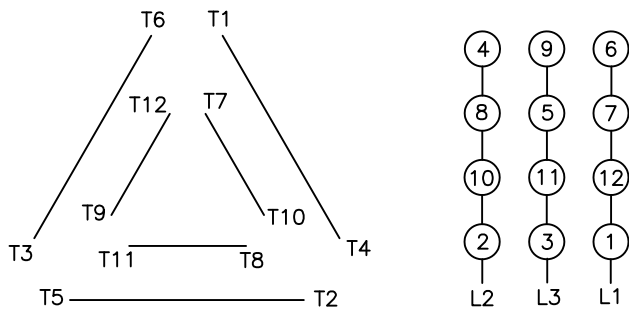
TOSHIBA FILE #
MODEL # **0602XPEA41B**
HP / RPM / ENCL / FRAME: **60** / **3600** / **TEFC** / **364TS**
DRIVE END BEARING: **6312C3**
OPPOSITE DRIVE END BEARING: **6312C3**

Prepared By:
Date:

Motor Connection Diagrams
12 Leads

Across-the-Line Starting / Running Connections

Low Voltage Delta



High Voltage Delta



Switch L1 and L2 to reverse rotation

Suitable for Wye-Delta Starting and Limited Part-Winding-Starting.
Please Contact Toshiba International for specific connections.