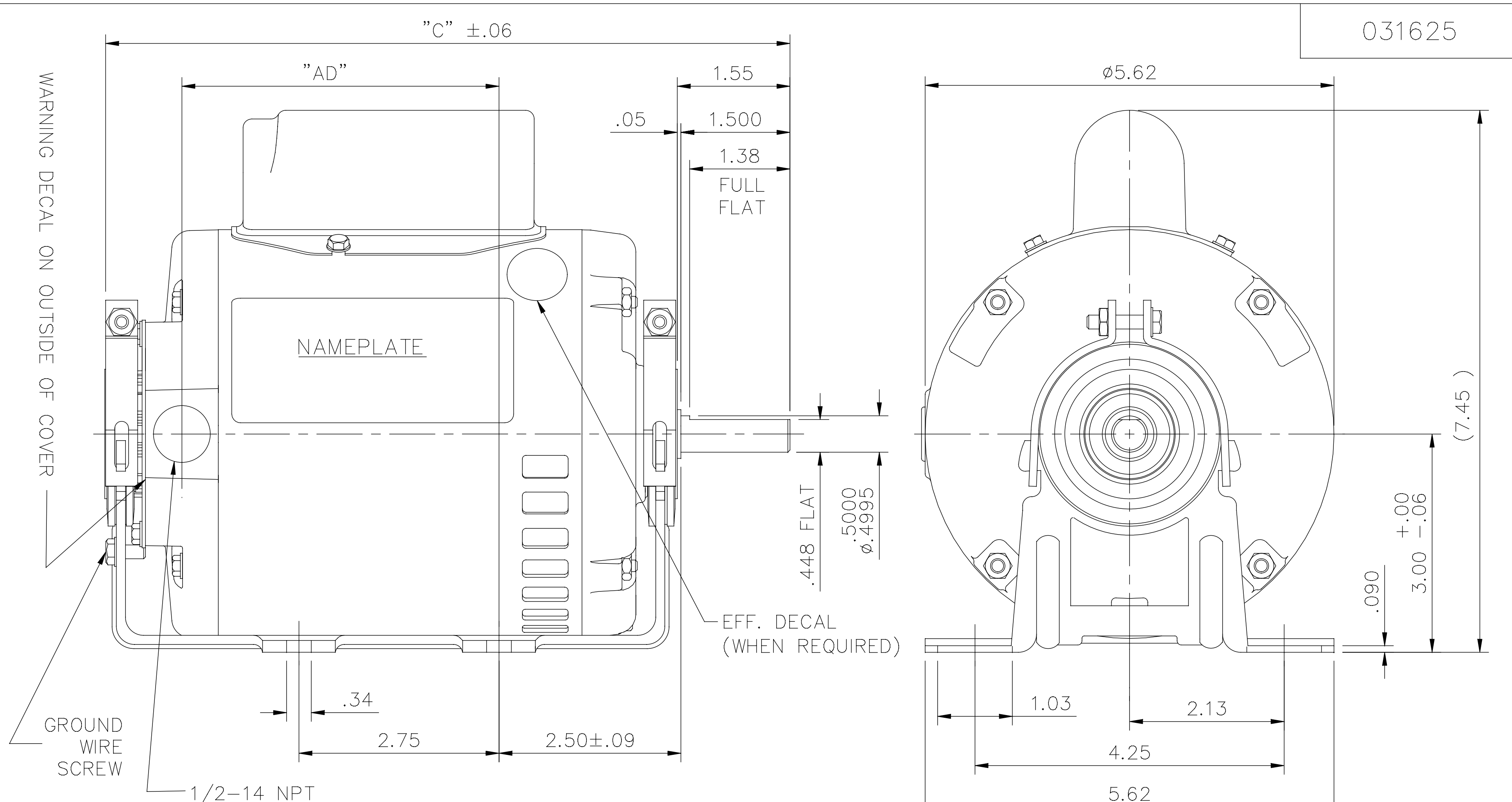


031625



TOLERANCES UNLESS OTHERWISE SPECIFIED

LEESON ELECTRIC CORPORATION

NO.	REVISION	BY & DATE	CH'K'D.
A	UPDATED WITH CAP BOX, EFF, OUTSIDE COVER & GROUND SCREW DECALS	SL 10/13/15	JD

DEC.	INCHES	METRIC	DRAWN	PG	TITLE
.X	±.1	±2.5	PG 5/24/01		OUTLINE - 48 FRAME RESILIENT MOUNT - DRIP PROOF
.XX	±.03	±.76	APPR.		MAT'L. 1 PHASE
.XXX	±.005	±.127	R.F.P.		
.XXXX	±.0005	±.0127	SCALE	1=2	
FRACTIONS ±1/64			REF.	030005	FINISH
ANGLES ±1/2°			FMF	101015	REV. A
THIS DRAWING IN DESIGN AND DETAIL IS OUR PROPERTY AND MUST NOT BE USED EXCEPT IN CONNECTION WITH OUR WORK ALL RIGHTS OF DESIGN AND INVENTION ARE RESERVED THIS IS AN ELECTRONICALLY GENERATED DOCUMENT - DO NOT SCALE THIS PRINT			DRAWING NO.		031625