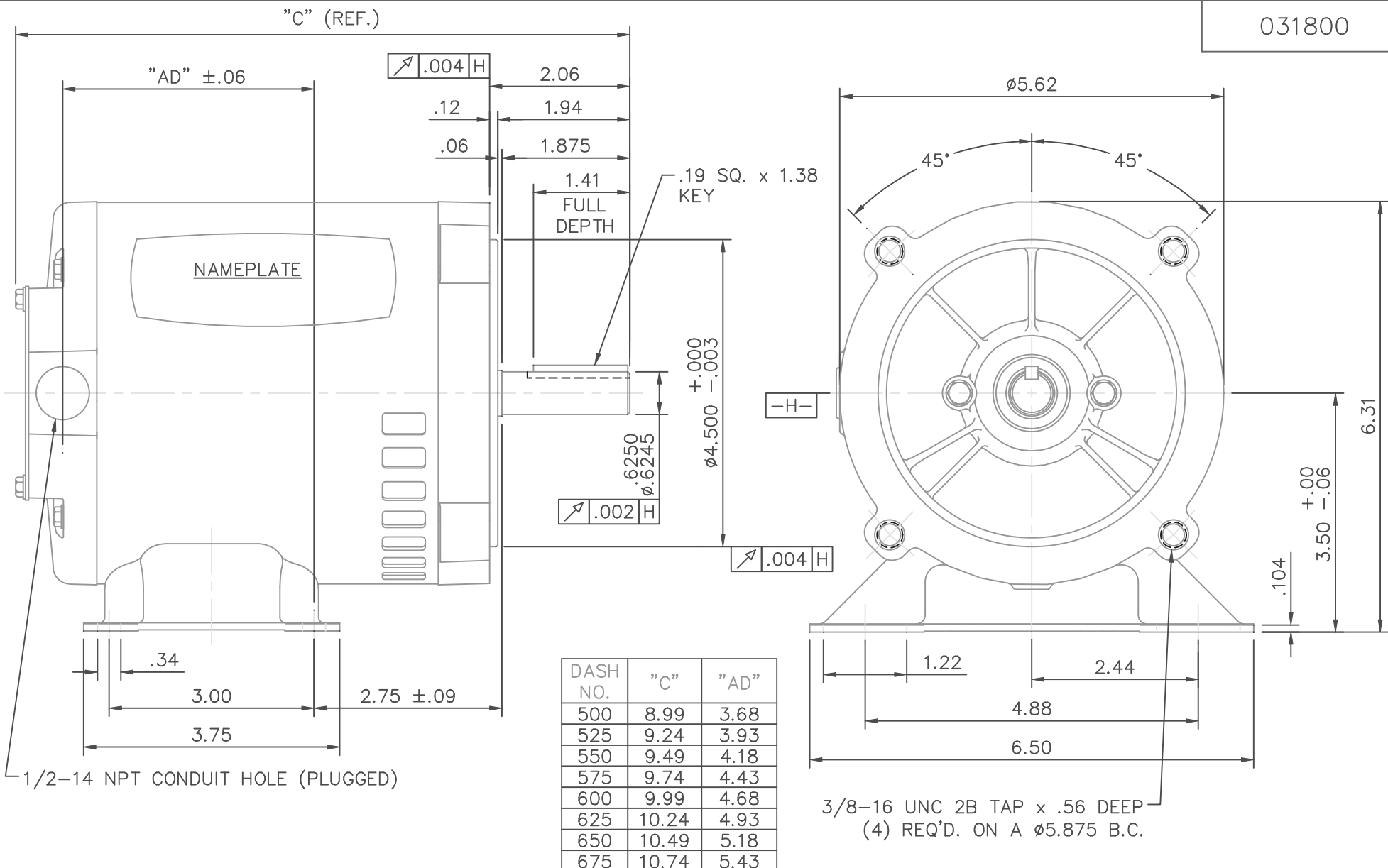


031800



DASH NO.	"C"	"AD"
500	8.99	3.68
525	9.24	3.93
550	9.49	4.18
575	9.74	4.43
600	9.99	4.68
625	10.24	4.93
650	10.49	5.18
675	10.74	5.43



ELECTRIC MOTORS
GEARMOTORS
AND DRIVES

DRAWN PG 02/16/05
CHK
APPD PG 02/16/05
SCALE 1=2
REF 031629
FMF 100600.00
PREV

TITLE
OUTLINE - S56C FRAME
RIGID "C" FACE - DRIP PROOF

MAT'L. 3 PHASE
FINISH

NO.	REVISION	BY & DATE	CHK	ANG

RFP	CAD FILE	031800	SIZE	DRAWING NO.	REV.
DIST			A	031800	

THIS DRAWING IN DESIGN AND DETAIL IS OUR PROPERTY AND MUST NOT BE USED EXCEPT IN CONNECTION WITH OUR WORK ALL RIGHTS OF DESIGN AND INVENTION ARE RESERVED THIS IS AN ELECTRONICALLY GENERATED DOCUMENT - DO NOT SCALE THIS PRINT