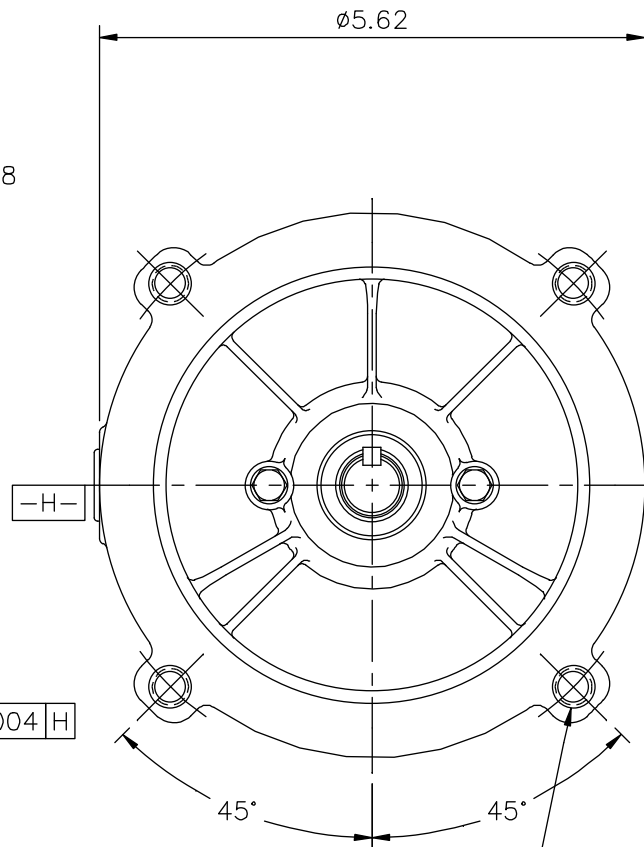



1/2-14 NPT
CONDUIT HOLE
(PLUGGED)

DASH NO.	"C"	"AD"
450	8.56	5.75
475	8.81	6.00
500	9.06	6.25
525	9.31	6.50
550	9.56	6.75
575	9.81	7.00
600	10.06	7.25
625	10.31	7.50
650	10.56	7.75
675	10.81	8.00
750	11.56	8.75



3/8-16 UNC 2B TAP x .56 DEEP
(4) REQ'D. ON A Ø5.875 B.C.

GASKETS THROUGHOUT

		TOLERANCES UNLESS SPECIFIED		 ELECTRIC MOTORS GEARMOTORS AND DRIVES	DRAWN PG 9/28/01
		DEC.	INCHES		CHK
		.X	±.1		APPD
		.XX	±.03		SCALE 1=2
		.XXX	±.005		REF 031078
01	REVISED CALLOUT FOR GD&T	KMM 6/6/02	.XXXX ±.0005	TITLE OUTLINE - S56C FRAME "C" FACE MOUNT - TENV	FMF 101648
NO.	REVISION	BY & DATE	CHK ANG ±1/2'	MAT'L. 3 PHASE	PREV
THIS DRAWING IN DESIGN AND DETAIL IS OUR PROPERTY AND MUST NOT BE USED EXCEPT IN CONNECTION WITH OUR WORK ALL RIGHTS OF DESIGN AND INVENTION ARE RESERVED THIS IS AN ELECTRONICALLY GENERATED DOCUMENT - DO NOT SCALE THIS PRINT			RFP	CAD FILE 031654	SIZE A
			DIST		DRAWING NO. 031654
					REV. 01