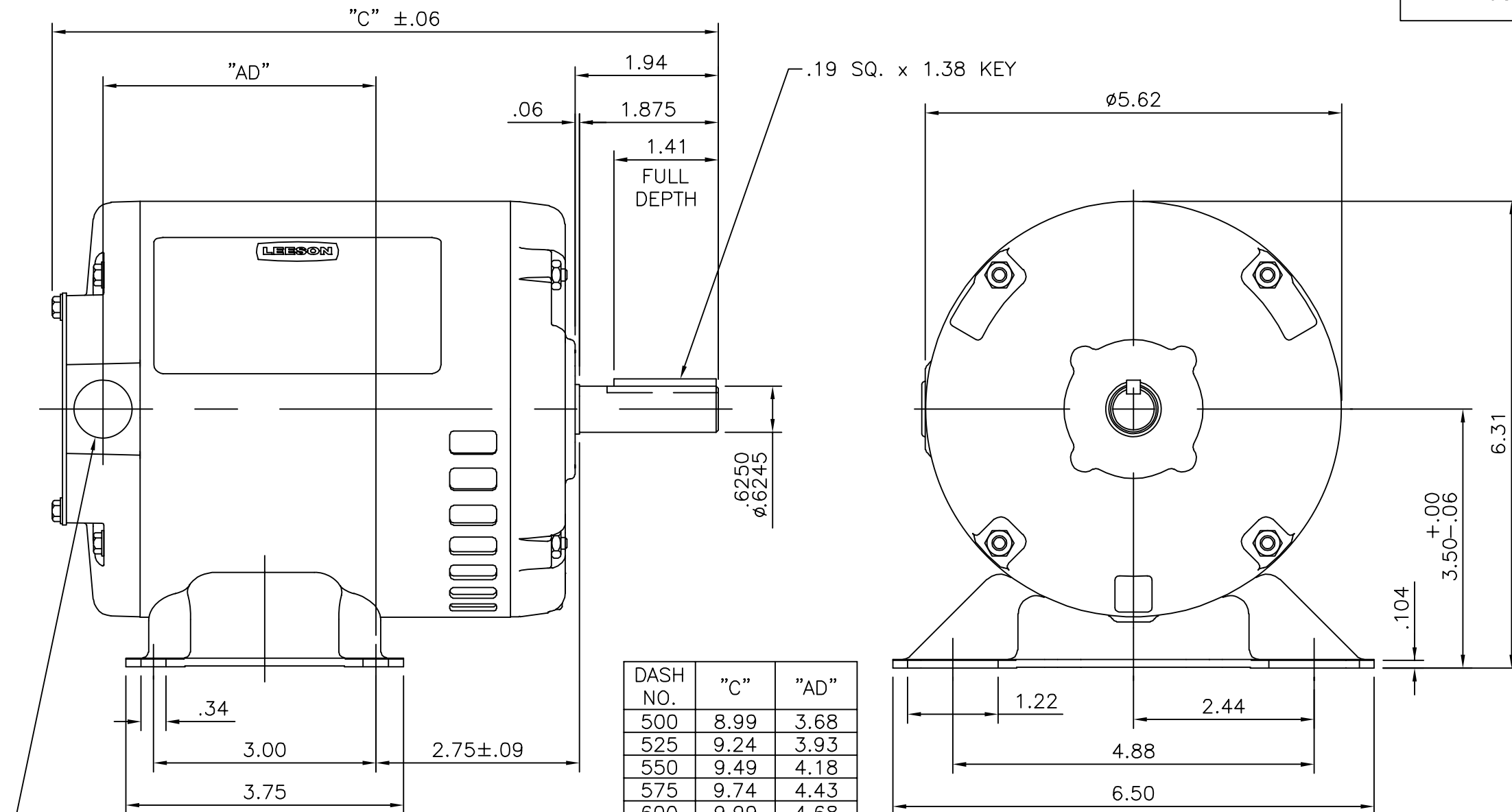


031620



DASH NO.	"C"	"AD"
500	8.99	3.68
525	9.24	3.93
550	9.49	4.18
575	9.74	4.43
600	9.99	4.68
625	10.24	4.93
650	10.49	5.18
675	10.74	5.43
700	10.99	5.68
725	11.24	5.93
750	11.49	6.18
775	11.74	6.43
800	11.99	6.68

1/2-14 NPT
CONDUIT HOLE
(PLUGGED)

				TOLERANCES UNLESS SPECIFIED		DRAWN PG 5/24/01	
				DEC.	INCHES	CHK	
				.X	±.1	APPD	
				.XX	±.03	SCALE	3=8
				.XXX	±.005	REF	031067
				.XXXX	±.0005	FMF	100027
NO.	REVISION	BY & DATE	CHK	ANG	±7'30"	PREV	
THIS DRAWING IN DESIGN AND DETAIL IS OUR PROPERTY AND MUST NOT BE USED EXCEPT IN CONNECTION WITH OUR WORK ALL RIGHTS OF DESIGN AND INVENTION ARE RESERVED THIS IS AN ELECTRONICALLY GENERATED DOCUMENT - DO NOT SCALE THIS PRINT				RFP	CAD FILE 031620	SIZE A	DRAWING NO. PAGE 1 OF 1 REV. 031620
				DIST	WP		



TITLE OUTLINE
RIGID MOUNT - DRIP PROOF

MAT'L. 3 PHASE

FINISH