

SHEET

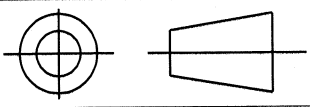
REV

52A107737 7

SIZE DRAWING NO.

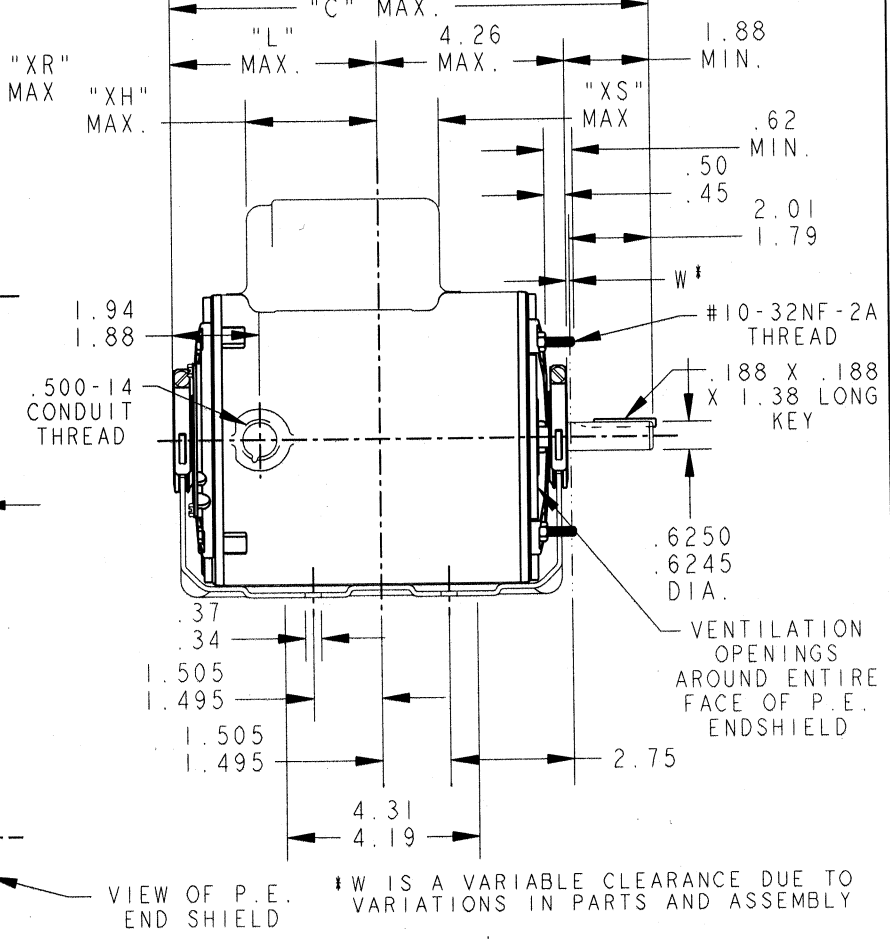
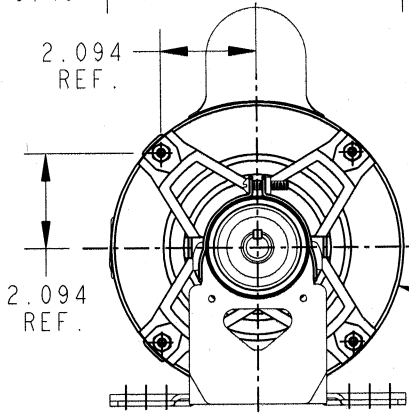
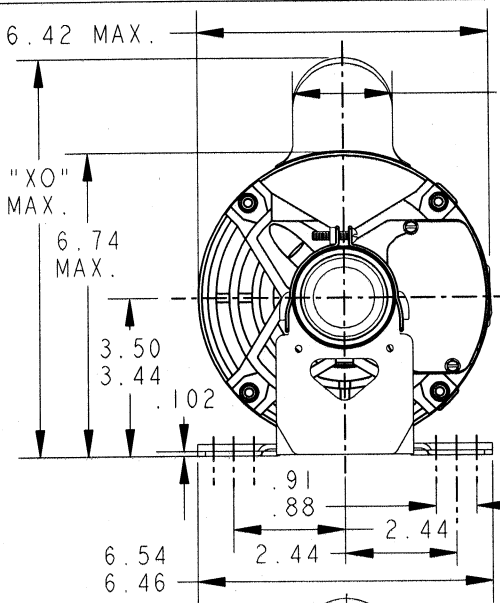
A

THIRD ANGLE PROJECTION



REVISIONS

| REV. | DESCRIPTION | DATE | APPROVED |
|------|-----------------------------------|----------|-----------|
| 7 | UPDATED PTH# 10 PER ISAAC 06-0996 | 05/17/06 | PRAVEEN.K |



VIEW OF P.E. END SHIELD *W IS A VARIABLE CLEARANCE DUE TO VARIATIONS IN PARTS AND ASSEMBLY

ALL DIMENSIONS ARE IN INCHES

| P | TYPE | GE SIZE | NEMA FR. | "C" | "L" | "XH" | "XO" | "XR" | "XS" | MIN. SHELL |
|----|------|---------|----------|-------|------|------|------|------|------|------------|
| 10 | KC | 49 | 56 | 10.38 | 4.22 | 2.72 | 8.84 | 2.22 | 2.72 | 6.15 |
| 9 | KC | 48 | 56 | 12.66 | 6.50 | 3.40 | 8.22 | 1.60 | 2.29 | 8.43 |
| 8 | KC | 46 | 56 | 10.78 | 4.62 | 2.44 | 8.84 | 2.22 | 2.10 | 6.55 |
| 7 | KC | 49 | 56 | 10.38 | 4.22 | 2.63 | 8.22 | 1.60 | 1.91 | 6.15 |
| 6 | KC | 49 | 56 | 11.38 | 5.22 | 3.63 | 8.22 | 1.60 | 2.12 | 7.15 |
| 5 | KC | 46 | 56 | 10.78 | 4.62 | 3.03 | 8.22 | 1.60 | 1.51 | 6.55 |
| 4 | KC | 42 | 56 | 9.95 | 3.79 | 2.20 | 8.22 | 1.60 | 2.34 | 5.72 |
| 3 | KC | 49 | 56 | 11.38 | 5.22 | 3.63 | 8.94 | 2.40 | 2.12 | 7.15 |
| 2 | KC | 42 | 56 | 9.95 | 3.79 | 2.20 | 8.84 | 2.22 | 2.34 | 5.72 |
| 1 | KC | 46 | 56 | 10.78 | 4.62 | 3.03 | 8.84 | 2.22 | 1.51 | 6.55 |

| SIGNATURES | | DATE |
|------------------------|-----------|----------|
| MODEL | M.D. PAPE | 10/10/91 |
| DETAIL | | |
| CHECKED | | |
| ENGRG | | |
| MFG | | |
| QUALITY | | |
| ISSUED | M.D. PAPE | 05/17/99 |
| SOLID MODEL: 52A107737 | | |



REGAL-BELOIT CORPORATION

| | | | |
|--------------|---|--------------|-------|
| TITLE | OUTLINE | | |
| | GENERAL PURPOSE MOTOR DRIP PROOF - BALL BEARING | | |
| | - RESILIENT BASE EXTENDED CLAMP SCREWS FMF - 40 FRAME REDESIGN (5KC42GN0022X) | | |
| SIZE DRAWING | A | 52A107737 | REV 7 |
| SCALE: 0.250 | REF. No: | SHEET 1 of 1 | |

FOR ADDITIONAL INFO REFER TO:
 APPLIED PRACTICES
 DIMENSIONS ARE IN INCHES
 MATERIAL