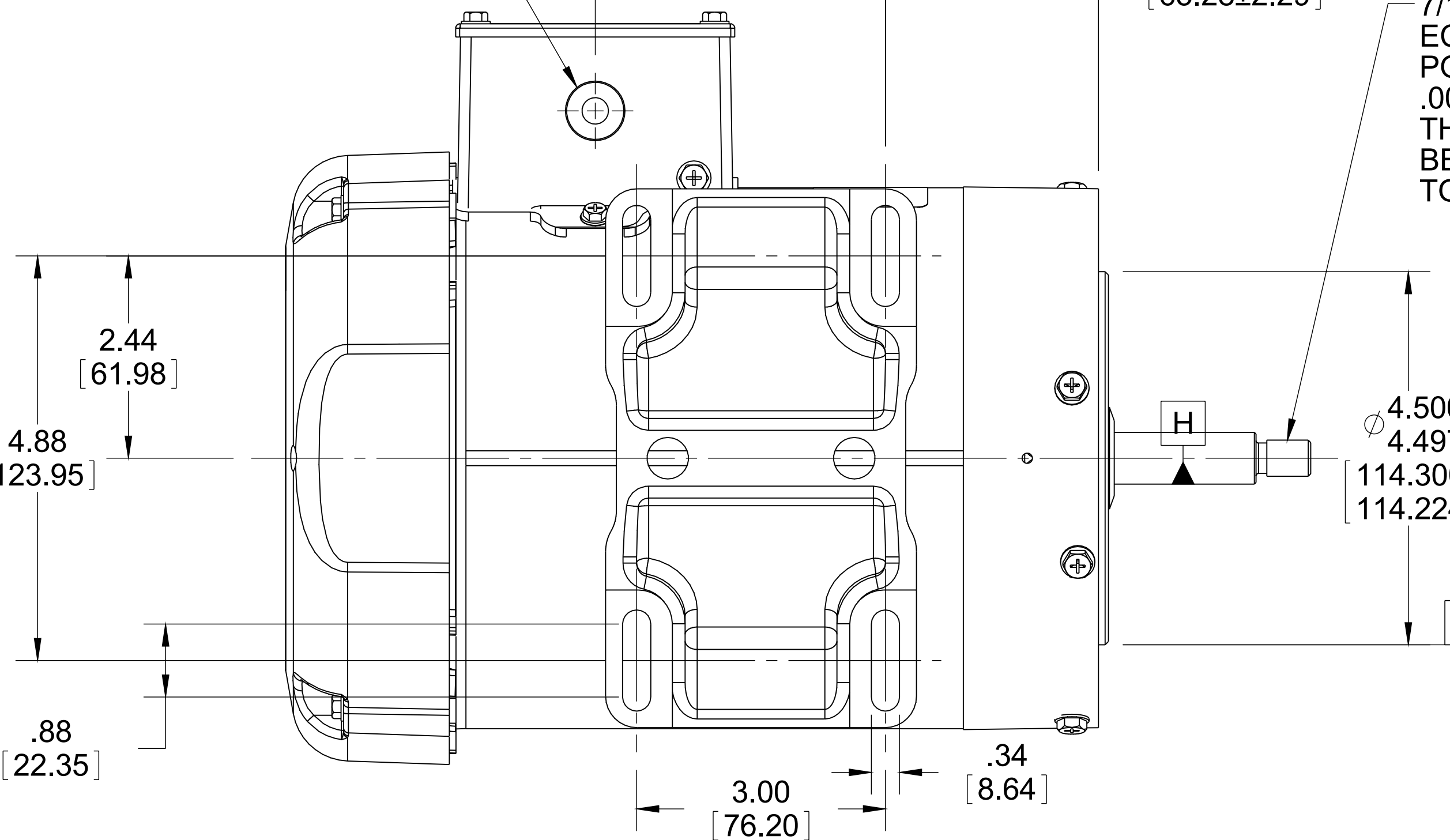


(1) 1/2-14 NPT CONDUIT HOLE (PLUGGED)

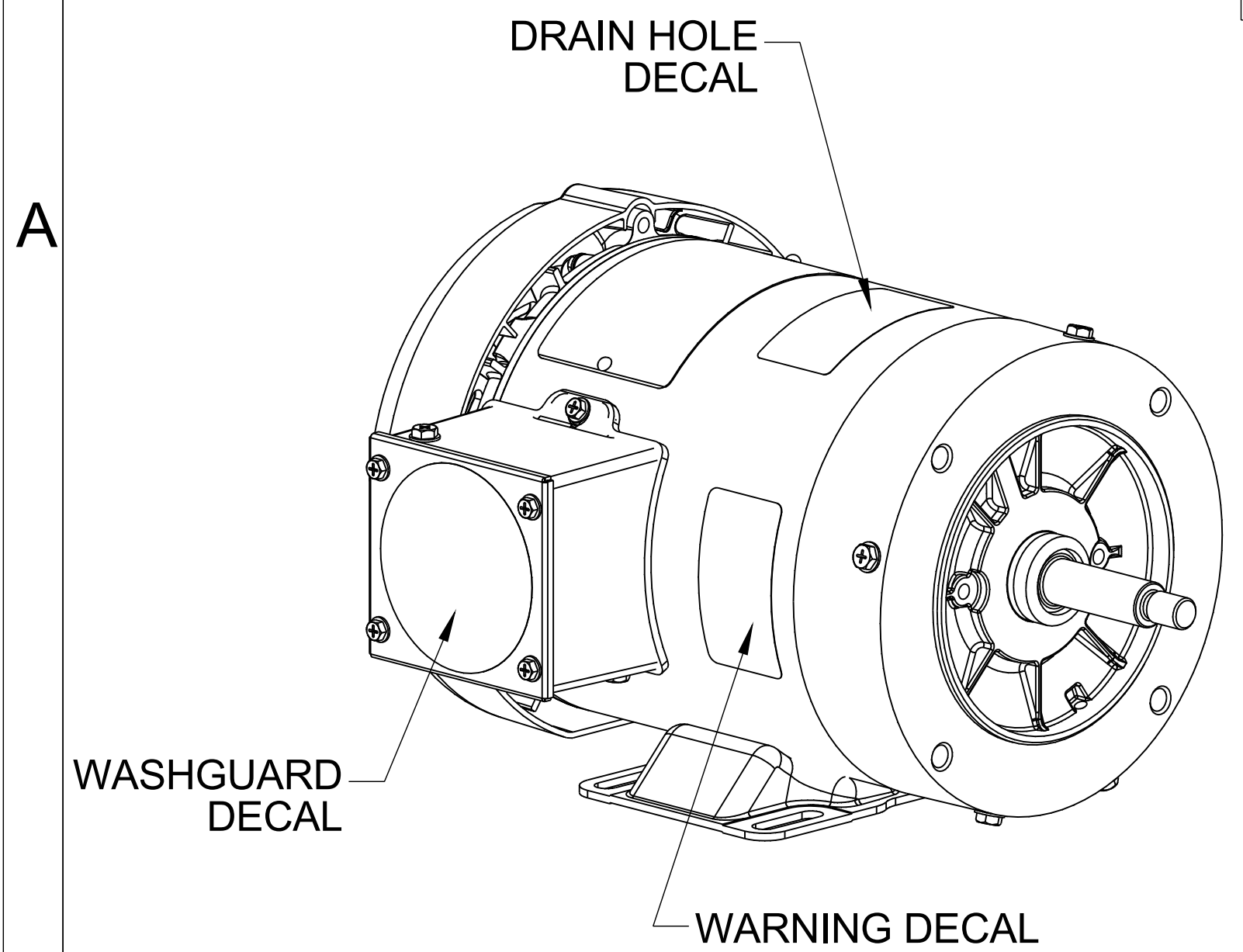


3/8-16 UNC-2B x .56 DEEP  
(4) REQ'D. ON A Ø 5.875 B.C.

### WASHGUARD MOTOR

- SPECIAL FEATURES:
1. SHAFT SEALS & V-RING.
  2. PLUGGED DRAIN HOLES IN ENDBELLS & CONDUIT BOX.
  3. BUNA-N GASKETS THROUGHOUT.
  4. STAINLESS STEEL SHAFT, HARDWARE & NAMEPLATE.

DASH NO.	"C"	"AD"
450	10.87	2.00
500	11.37	2.50
550	11.87	3.00
600	12.37	3.50
650	12.87	4.00
700	13.37	4.50
750	13.87	5.00
800	14.37	5.50



DRAWING REVISION E	REVISION BY SAJID	DATE 07/06/2015
ECO ECO-0080246	APPROVED BY JD	DATE 07/06/2015
ECO DESCRIPTION <b>ADDED DASH NO 750 &amp; 800</b>		
<small>COPYRIGHT REGAL BELOIT AMERICA, INC. ALL RIGHTS RESERVED. PROPRIETARY AND CONFIDENTIAL INFORMATION - THIS DOCUMENT IS THE PROPERTY OF REGAL BELOIT AMERICA, INC. ("OWNER") AND CONTAINS OWNER'S PROPRIETARY INFORMATION. ANY PERSON, CORPORATION OR OTHER FIRM RECEIVING IT IS DEEMED, BY RECEIVING IT, TO AGREE THAT IT, AND/OR ANY PART OF IT, SHALL NOT BE DISCLOSED TO ANY PERSON, CORPORATION OR OTHER ENTITY, DUPLICATED, AND/OR USED, EXCEPT AS EXPRESSLY APPROVED IN WRITING IN ADVANCE BY OWNER. THIS DOCUMENT SHALL BE RETURNED TO OWNER UPON REQUEST. IT MAY BE SUBJECT TO CERTAIN RESTRICTIONS UNDER APPLICABLE EXPORT CONTROL LAWS AND REGULATIONS.</small>		

TOLERANCES UNLESS OTHERWISE SPECIFIED:

DEC.	INCH	mm	ANGLE
.X	±0.1	[±2.5]	±7° 30"
.XX	±0.03	[±0.76]	
.XXX	±0.005	[±0.127]	
.XXXX	±0.0005	[±0.0127]	

REMOVE BURRS & BREAK SHARP EDGES: .003/.015 [0.076/.381] X 45°  
CORNER FILLETS: R.02 [51]  
MACHINED SURFACES: 200 INCH/mm  
mm SHOWN IN [BRACKETS]

DRAWN BY PG 02/14/11	DATE
APPROVED BY	DATE
REFERENCE	THIRD ANGLE PROJECTION

<b>REGAL</b> ™ Regal Beloit America, Inc.	
DESCRIPTION	<b>OUTLINE</b> TEFC - RIGID "C" FACE
MATERIAL	WASHGUARD - JET PUMP
PROCESS/FINISH	
SIZE	<b>B</b>
DRAWING NUMBER	<b>607-0014</b>
SHEET	1 OF 1