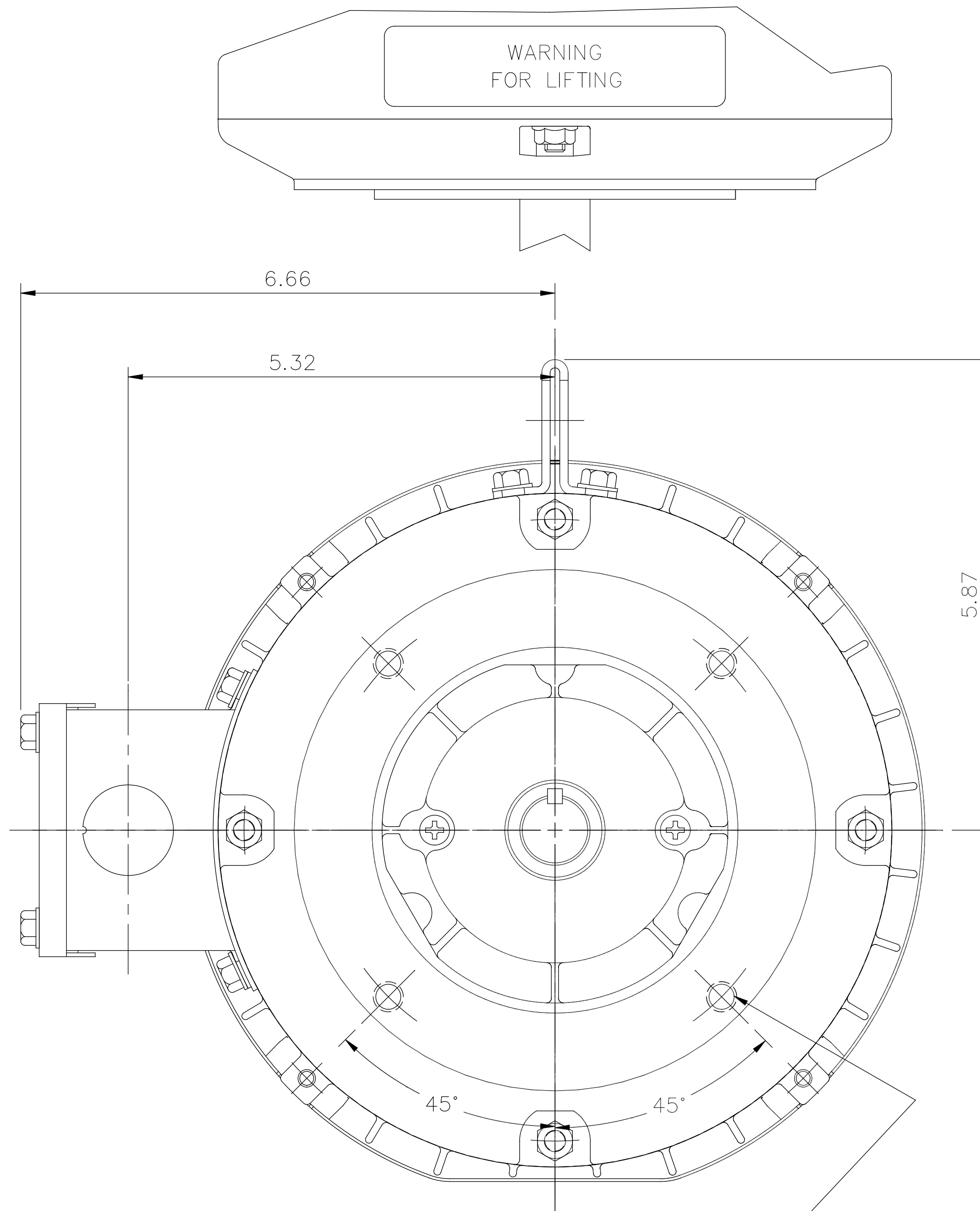


(3)  $\phi 1.13$   
KNOCKOUTS



(4) 3/8-16 UNC 2B X .56 DEEP  
ON A  $\phi 5.875$  B.C.

GASKETS THROUGHOUT  
MAXIMUM FACE RUNOUT TO BE .004 T.I.R.  
MAXIMUM PILOT ECCENTRICITY TO BE .004 T.I.R.  
PERMISSIBLE SHAFT RUNOUT TO BE .010 T.I.R.

900	13.02	7.75
850	12.52	7.25
DASH	"C"	"AD"

			TOLERANCES UNLESS SPECIFIED		REGAL™ Regal Beloit America, Inc.	DRAWN KIR 03/30/16	
			DEC.	INCHES		CHK SR 03/30/16	
			.X	±.1	TITLE OUTLINE-- 184TCZ FRAME TEFC-- "C" FACE	APPD SR 03/30/16	
			.XX	±.03		SCALE 1=2	
			.XXX	±.005		REF OL132522	
			.XXXX	±.0005		FMF	
A	NEW DRAWING	KIR 03/30/16	SR	.XXX	MAT'L.	PREV	
NO.	REVISION	BY & DATE	CHK	ANG	FINISH		
THIS DRAWING IN DESIGN AND DETAIL IS OUR PROPERTY AND MUST NOT BE USED EXCEPT IN CONNECTION WITH OUR WORK ALL RIGHTS OF DESIGN AND INVENTION ARE RESERVED THIS IS AN ELECTRONICALLY GENERATED DOCUMENT - DO NOT SCALE THIS PRINT			RFP		CAD FILE 036202	SIZE B	DRAWING NO. 036202
			DIST				REV. A