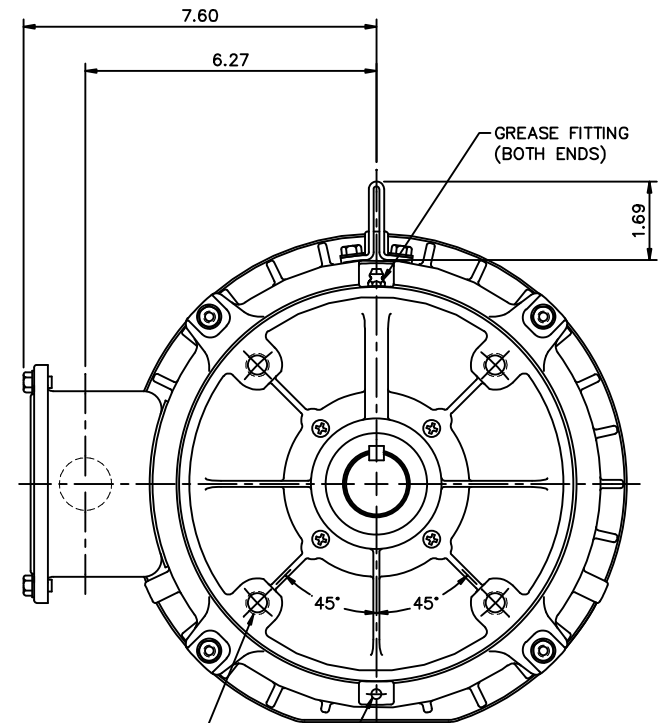


(2) ϕ 1.13 CONDUIT HOLE (PLUGGED)



(4) 1/2-13 UNC-2B X .75 DEEP ON A ϕ 7.250 B.C.

DRAIN HOLE (BOTH ENDS)

GASKETS THROUGHOUT
 MAXIMUM FACE RUNOUT TO BE .004 T.I.R.
 MAXIMUM PILOT ECCENTRICITY TO BE .004 T.I.R.
 PERMISSIBLE SHAFT RUNOUT TO BE .002 T.I.R.

DASH NO.	"C"	"AD"
1000	16.71	8.25
1050	17.21	8.75
1100	17.71	9.25
1150	18.21	9.75
1200	18.71	10.25
1250	19.21	10.75

		TOLERANCES UNLESS SPECIFIED		LEESON ELECTRIC MOTORS GEARMOTORS AND DRIVES		DRAWN RDW 9/9/03		
		DEC.	INCHES			CHK		
01	ADDED: WARNING DECAL - LIFTING LUG & WARNING DECAL - WITH/OUT PROTECTOR; REMOVED: DECAL - WIRING INSTRUCTION	KVN	4/13/2010	.X	±.1	TITLE	OUTLINE - 210TC FRAME TEFC - "C" FACE	APPD SW 9/9/03
	NAMEPLATE - was - TV SCREEN STYLE			.XX	±.03		SCALE	3=8
				.XXX	±.005	MAT'L	GENERAL PURPOSE	REF
				.XXXX	±.0005			FMF 140109
NO.	REVISION	BY & DATE	CHK	ANG	±1/2'	FINISH	PREV	
THIS DRAWING IN DESIGN AND DETAIL IS OUR PROPERTY AND MUST NOT BE USED EXCEPT IN CONNECTION WITH OUR WORK ALL RIGHTS OF DESIGN AND INVENTION ARE RESERVED THIS IS AN ELECTRONICALLY GENERATED DOCUMENT - DO NOT SCALE THIS PRINT			RFP	9/9/03	CAD FILE	037614	SIZE	DRAWING NO.
			DIST				B	037614
								REV. 01