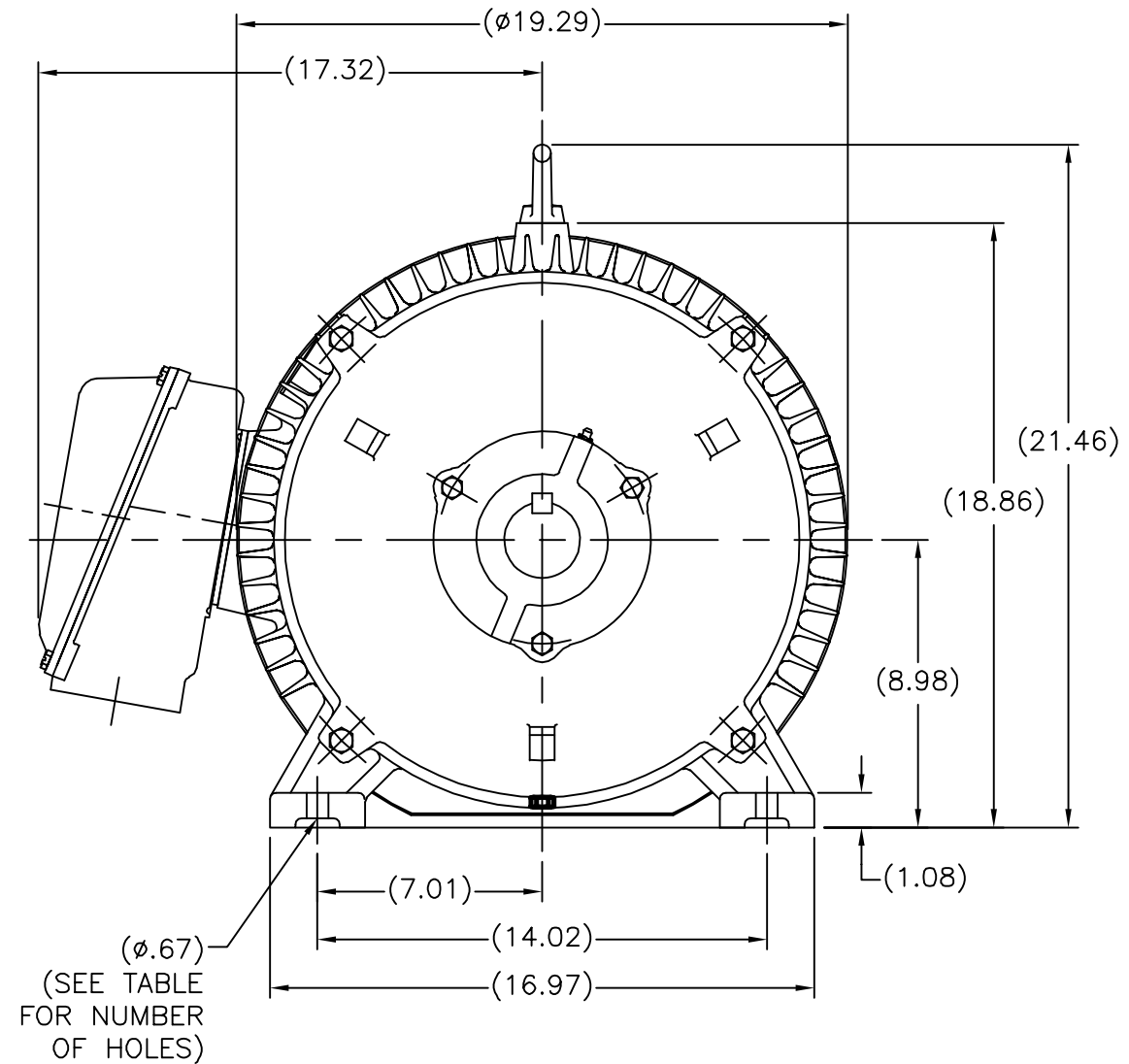
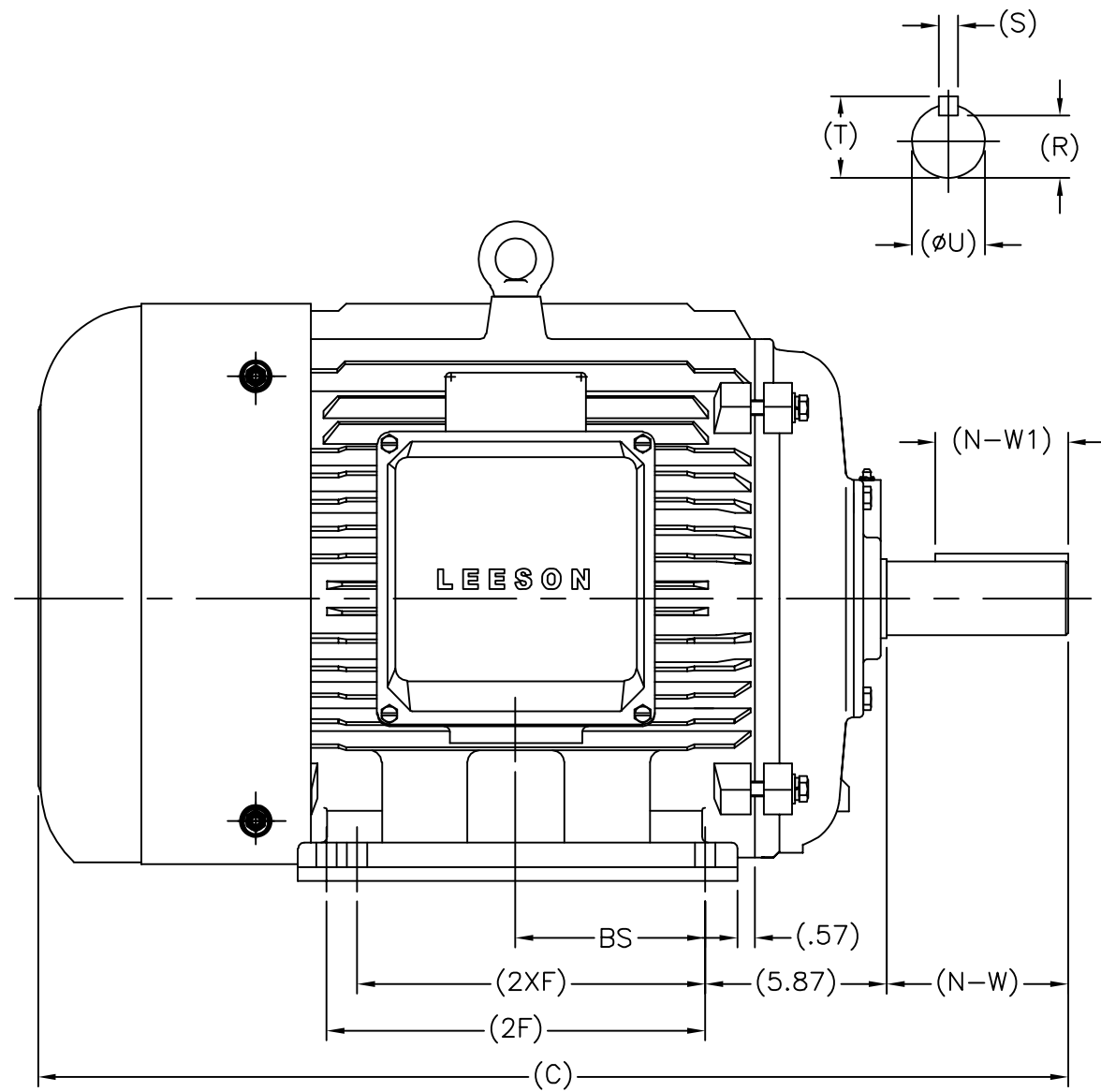


SS622180LE



												TOLERANCES UNLESS SPECIFIED		REGAL REGAL-BELOIT CORPORATION		DRAWN MSG 02/13/2007				
												DEC.	INCHES			CHK	ML 02/16/2007			
												.X	±.1			APPD	SB 02/23/2007			
												.XX	±.03	TITLE OUTLINE		SCALE N/A				
												.XXX	±.005	360 FR. - TEFC - (REDESIGNED)		REF				
												.XXXX	±.0005	MAT'L.		FMF	HEBEI			
												ANG	±7°30"	FINISH		PREV				
FRAME	C	2F	2XF	HOLES	N-W	N-W1	øU	R	S	T	BS	THIS DRAWING IN DESIGN AND DETAIL IS OUR PROPERTY AND MUST NOT BE USED EXCEPT IN CONNECTION WITH OUR WORK ALL RIGHTS OF DESIGN AND INVENTION ARE RESERVED THIS IS AN ELECTRONICALLY GENERATED DOCUMENT - DO NOT SCALE THIS PRINT		RFP	CAD FILE	SS622180LE	SIZE	DRAWING NO.	PAGE 1 OF 1	REV.
														DIST			A	SS622180LE		1
NT364TS-2	30.20	11.26	---	4	3.74	2.05	1.87	1.59	0.50	2.09	---									
NT365TS-2	31.18	12.24	11.26	6	3.74	2.05	1.87	1.59	0.50	2.09	---									
NT364T-4, 6	32.32	11.26	---	4	5.87	4.29	2.37	2.01	0.63	2.64	5.60	1	ADDED BS DIM. UPDATED TITLE BLOCK, ECO-0048910	RFH 04/07/2014	EH	.XXXX ±.0005				
NT365T-4, 6	33.31	12.24	11.26	6	5.87	4.29	2.37	2.01	0.63	2.64	6.10	NO.	REVISION	BY & DATE	CHK	ANG	±7°30"			