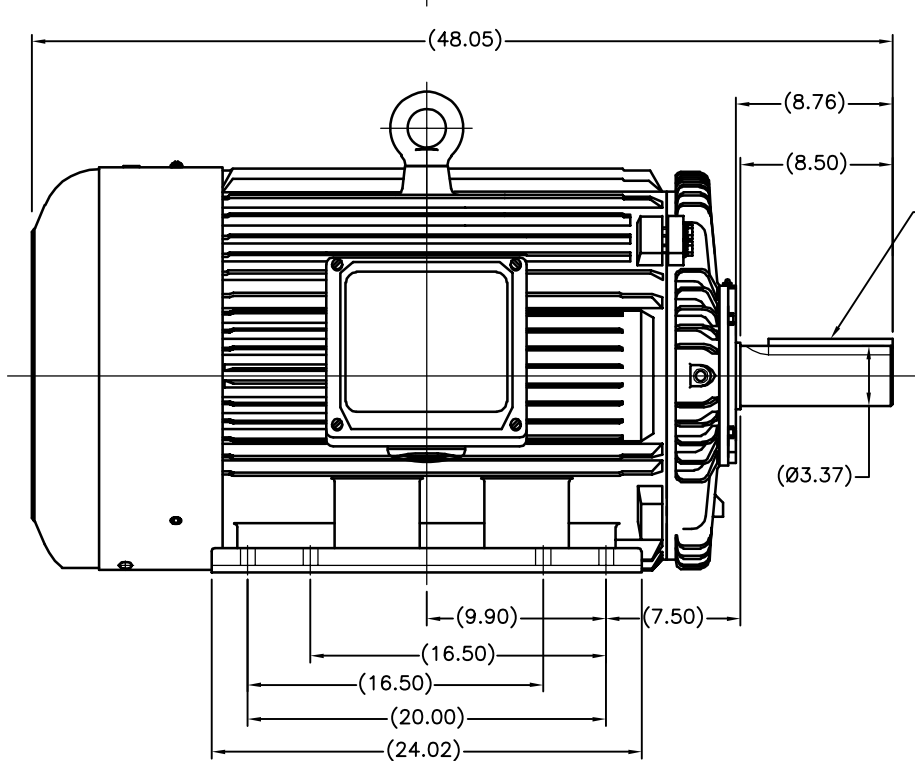
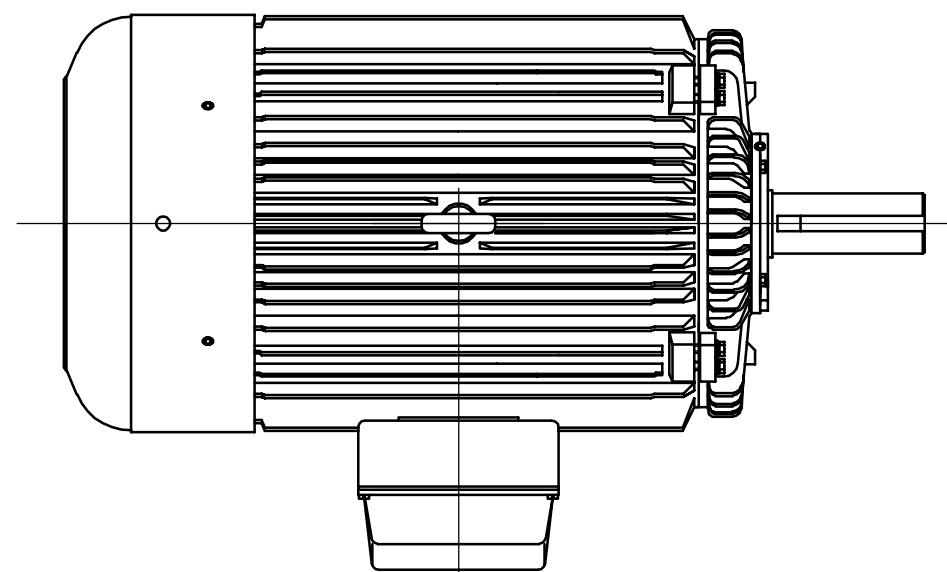


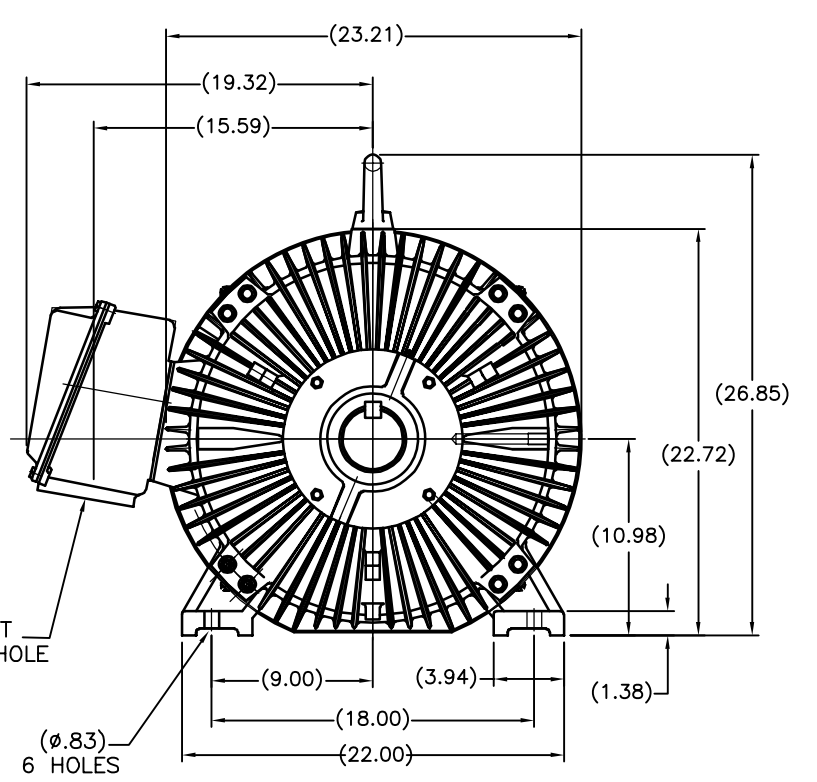
16983360



(.88x.88x6.88)  
KEY

3" NPT  
CONDUIT HOLE

(Ø.83)  
6 HOLES



|  |                                |                             |        |                                       |        |                                   |                      |
|--|--------------------------------|-----------------------------|--------|---------------------------------------|--------|-----------------------------------|----------------------|
|  |                                | TOLERANCES UNLESS SPECIFIED |        | <b>REGAL</b> REGAL-BELOIT CORPORATION |        | DRAWN MOL 06-30-2011              |                      |
|  |                                | DEC.                        | INCHES |                                       |        | CHK MOL 06-30-2011                |                      |
|  |                                |                             | .X     | ±.1                                   |        |                                   | APPD                 |
| 2  | ADDED 'BS' DIM PER ECO-0048910 | RFH 04/07/2014              | EH     | .XX                                   | ±.03   | TITLE OUTLINE-447T FR-TEFC-RIGID  |                      |
| 1  | ADDED TOP VIEW                 | MOL 11-26-2012              |        | .XXX                                  | ±.005  | MEETS NEC/UL REQ CON-BOX VOL=9750 |                      |
|  |                                |                             |        | .XXXX                                 | ±.0005 | MAT'L CAST IRON                   |                      |
| NO.  | REVISION                       | BY & DATE                   | CHK    | ANG                                   | ±1/2'  | FINISH                            |                      |
| THIS DRAWING IN DESIGN AND DETAIL IS OUR PROPERTY AND MUST NOT BE USED EXCEPT IN CONNECTION WITH OUR WORK ALL RIGHTS OF DESIGN AND INVENTION ARE RESERVED THIS IS AN ELECTRONICALLY GENERATED DOCUMENT - DO NOT SCALE THIS PRINT |                                |                             | RFP    | CAD FILE 16983360                     |        | SIZE B                            | DRAWING NO. 16983360 |
|  |                                |                             | DIST   |                                       |        | PAGE 1 OF 1                       | REV. 2               |