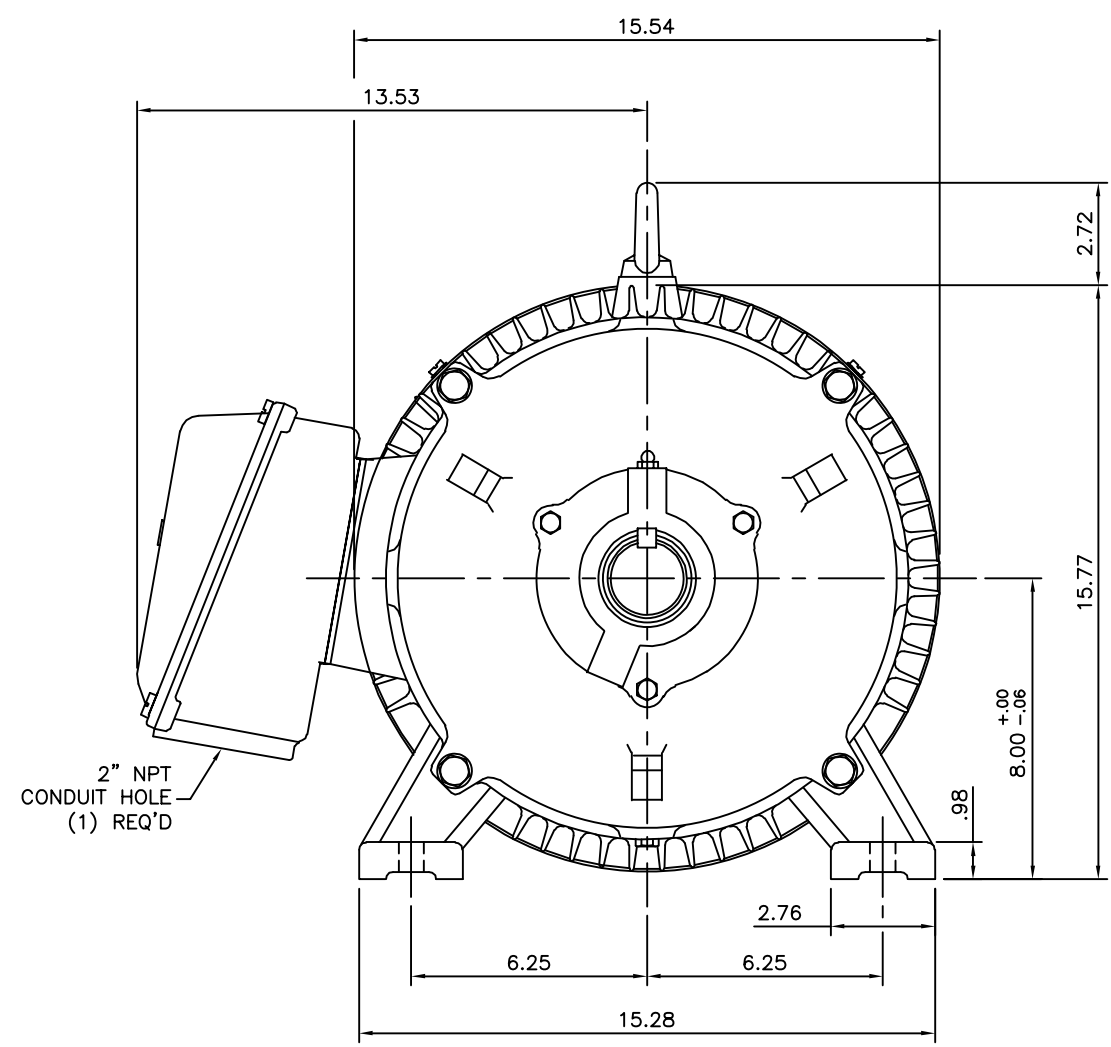
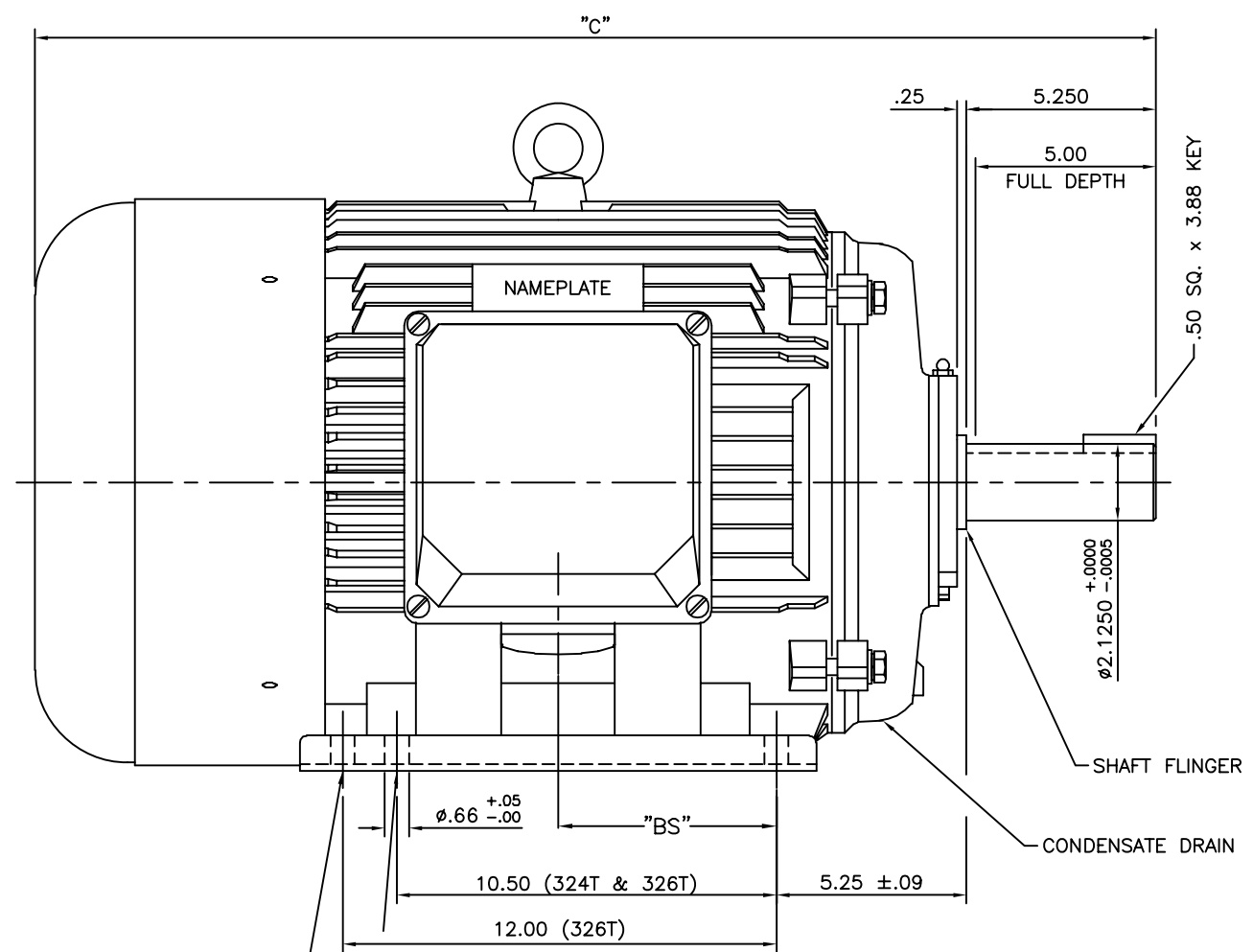


169541-60LE



FRAME DESIGN	"C"	"BS"
324T	29.53	5.30
326T	31.02	6.00

(6) HOLES REQ'D 326T FRAME  
(4) HOLES REQ'D 324T FRAME

		TOLERANCES UNLESS SPECIFIED		REGAL REGAL-BELOIT CORPORATION		DRAWN JJK 03/29/99	
		DEC.	INCHES			CHK	
		.X	±.1			APPD PG 03/31/99	
		.XX	±.03	TITLE OUTLINE - 320T FRAME		SCALE N/A	
		.XXX	±.005	TEFC - RIDIG		REF 169504	
1	ADDED "BS" DIM. AND UPDATED TITLE BLOCK ECO-00	RFH	04/07/2014	EH	.XXXX	±.0005	MAT'L. CAST IRON
NO.	REVISION	BY & DATE	CHK	ANG	±1/2'	FINISH	PREV
THIS DRAWING IN DESIGN AND DETAIL IS OUR PROPERTY AND MUST NOT BE USED EXCEPT IN CONNECTION WITH OUR WORK ALL RIGHTS OF DESIGN AND INVENTION ARE RESERVED THIS IS AN ELECTRONICALLY GENERATED DOCUMENT - DO NOT SCALE THIS PRINT				RFP	CAD FILE 16954160LE		SIZE
				DIST			DRAWING NO. PAGE 1 OF 1 REV.
						A 169541-60LE 1	