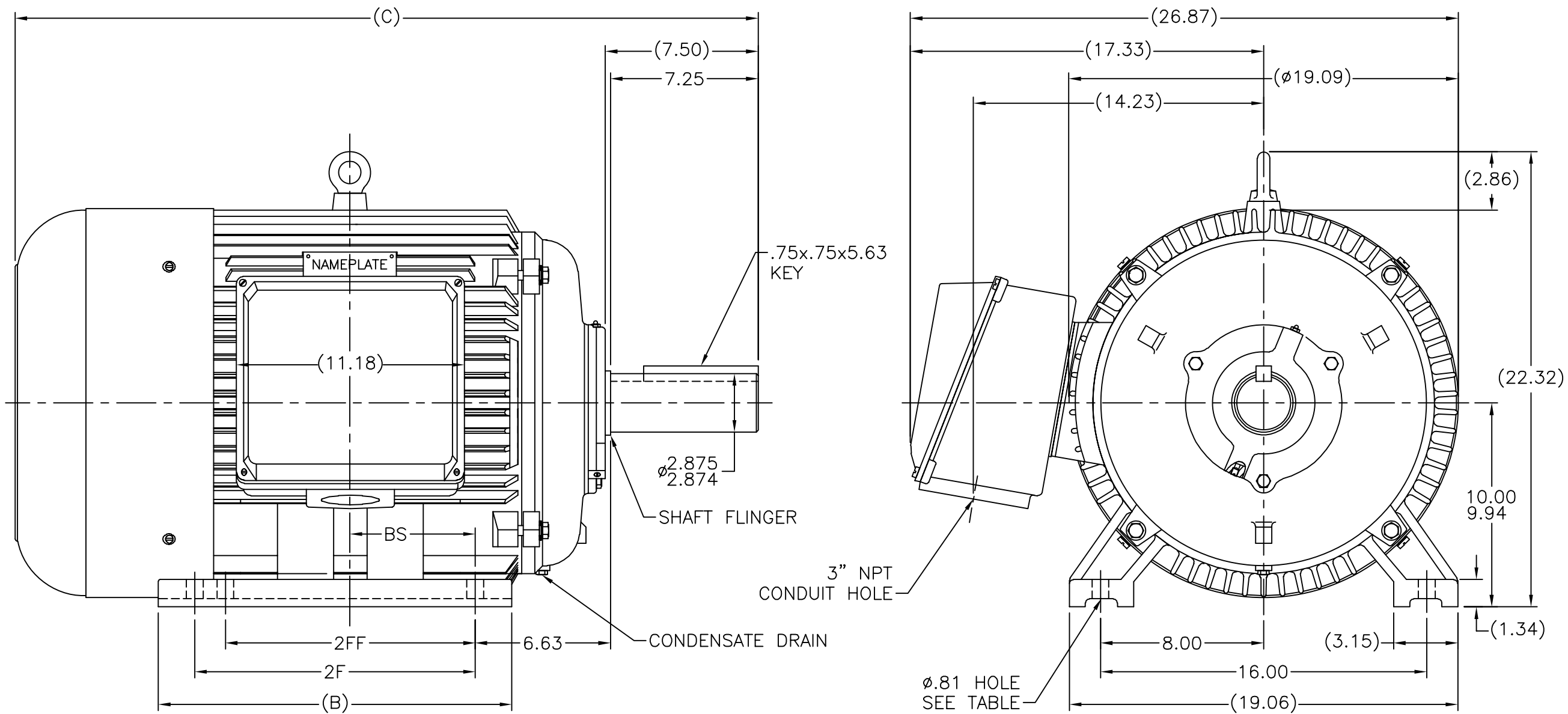


169545-60LE



		TOLERANCES UNLESS SPECIFIED		REGAL REGAL - BELOIT CORPORATION		DRAWN CTO 08/21/2002	
		DEC.	INCHES			CHK	ML 08/29/2002
		.X	$\pm .1$			APPD	SB 08/30/2002
3	REVISED BS DIM. UPDATED TITLE BLOCK ECO-0048910	RFH	04/07/2014	EH	.XX $\pm .03$	TITLE OUTLINE - RIGID	
2	CORRECTED FOOT MOUNTING HOLES DISCRPTION	MOL	10/21/2011		.XXX $\pm .005$	400T RF. - TEFC	
1	NEW DRAWING	CTO	06/30/2002	SB	.XXXX $\pm .0005$	MAT'L.	
NO.	REVISION	BY & DATE	CHK	ANG	$\pm 7'30"$	FINISH	PREV
THIS DRAWING IN DESIGN AND DETAIL IS OUR PROPERTY AND MUST NOT BE USED EXCEPT IN CONNECTION WITH OUR WORK ALL RIGHTS OF DESIGN AND INVENTION ARE RESERVED THIS IS AN ELECTRONICALLY GENERATED DOCUMENT - DO NOT SCALE THIS PRINT				RFP	CAD FILE 16954560le		SIZE
				DIST			DRAWING NO. PAGE 1 OF 1 REV.
						A	169545-60LE 3

1681	404T	36.42	15.83	12.25	-	5.39	4
1831	405T	37.91	17.32	13.75	12.25	6.90	6
DASH	FRAME	C	B	2F	2FF	BS	HOLE QTY