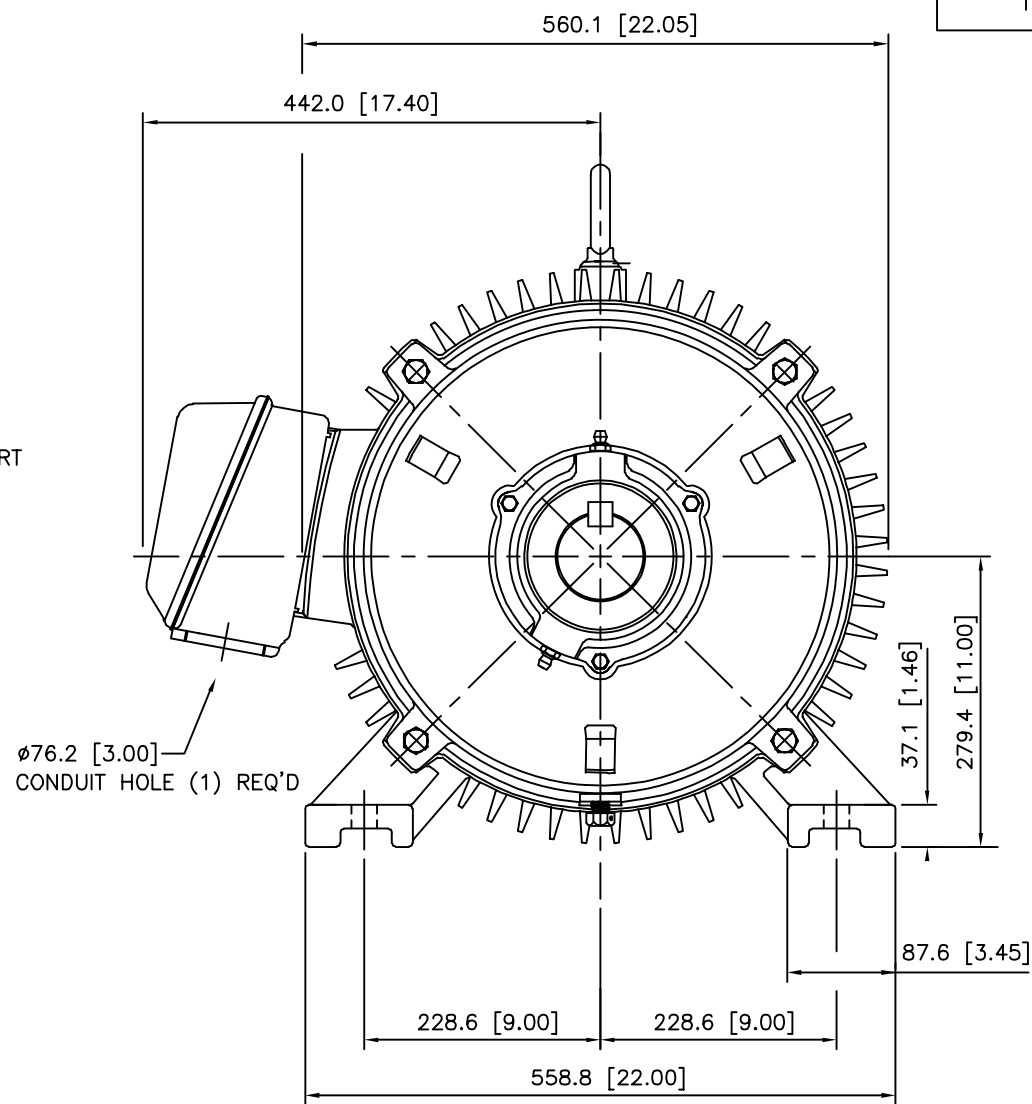
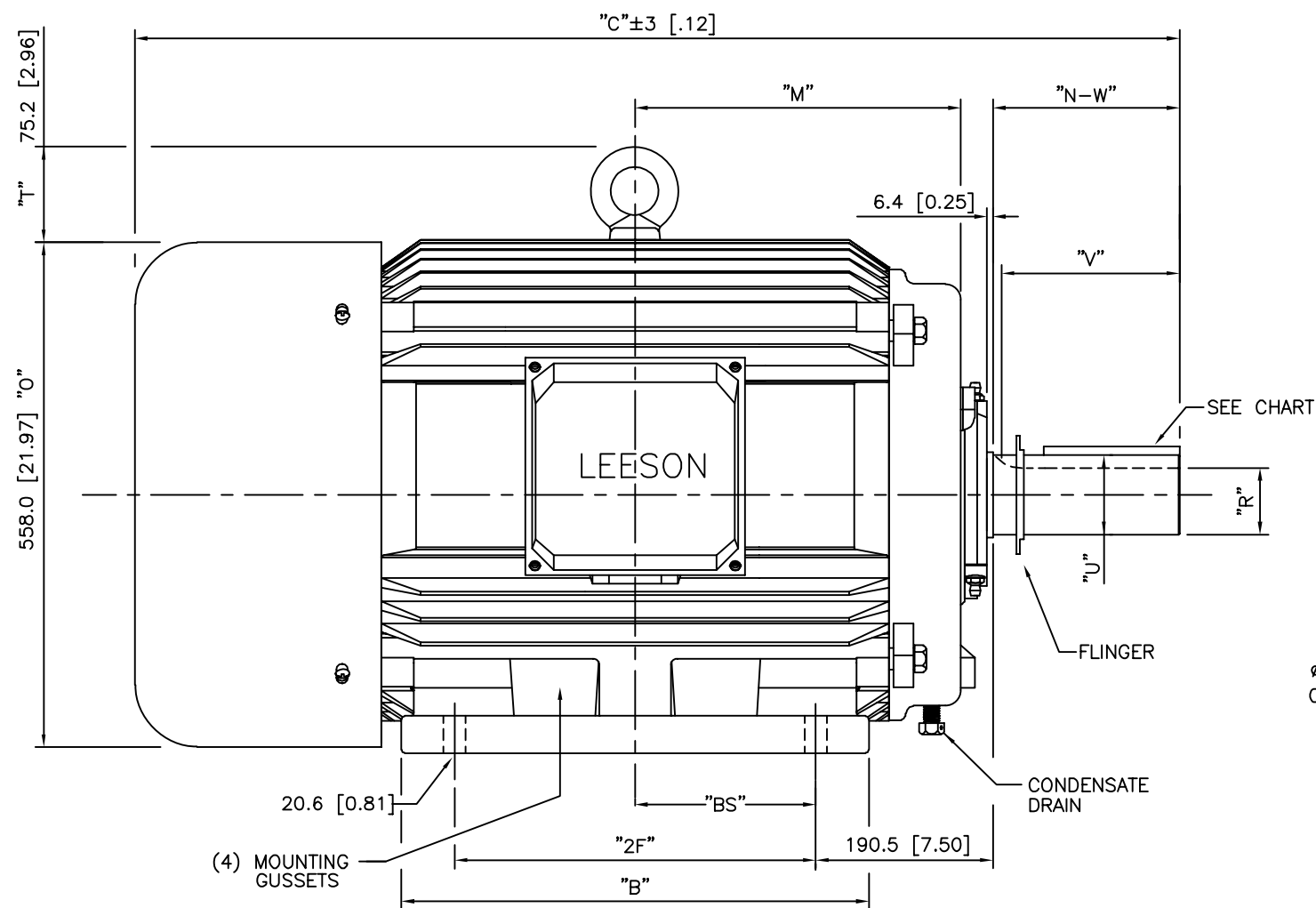


169507



FRAME	"H"	"A"	"G"	"J"	"O + T"
447TZ	21.1 [0.83]	560.1 [22.05]	300.0 [11.81]	110.0 [4.33]	639.8 [25.19]

FRAME	"2F"	"B"	"BS"	"C"	"M"	"R"	"N-W"	"U"	"V"	"KEY"		
										WIDTH	THICK	LENGTH
444TS	368.3 [14.50]	469.9 [18.50]	---	993.1 [39.10]	640.1 [25.20]	51.33 [2.021]	120.7 [4.75]	60.33 [2.375]	114.3 [4.50]	15.88 [0.625]	15.88 [0.625]	76.20 [3.000]
444T	368.3 [14.50]	469.9 [18.50]	209.0 [8.20]	1088.9 [42.87]	640.1 [25.20]	73.15 [2.880]	215.9 [8.50]	85.73 [3.375]	209.6 [8.25]	22.23 [0.875]	22.23 [0.875]	174.63 [6.875]
445T	419.1 [16.50]	520.7 [20.50]	182.5 [7.20]	1140.0 [44.88]	690.9 [27.20]	73.15 [2.880]	215.9 [8.50]	85.73 [3.375]	209.6 [8.25]	22.23 [0.875]	22.23 [0.875]	174.63 [6.875]
447TZ	508.0 [20.00]	599.9 [23.62]	---	1270.0 [50.00]		73.15 [2.880]	257.3 [10.13]	85.73 [3.375]	251.0 [9.88]	22.23 [0.875]	22.23 [0.875]	215.90 [8.500]

		TOLERANCES UNLESS SPECIFIED		REGAL - BELOIT CORPORATION		DRAWN DBT 10/20/97	
		DEC.	INCHES			CHK	
		.X	±.1			APPD	
		.XX	±.03	TITLE OUTLINE - 440 FRAME		SCALE N/A	
		.XXX	±.005	TEFC - RIGID MOUNT		REF	
1	ADDED BS DIM. UPDATED TITLE BLOCK ECO-0048910	RFH	04/07/2014	EH	.XXXX	±.0005	MAT'L. CAST IRON
NO.	REVISION	BY & DATE	CHK	ANG	±1/2'	FINISH	PREV
THIS DRAWING IN DESIGN AND DETAIL IS OUR PROPERTY AND MUST NOT BE USED EXCEPT IN CONNECTION WITH OUR WORK ALL RIGHTS OF DESIGN AND INVENTION ARE RESERVED THIS IS AN ELECTRONICALLY GENERATED DOCUMENT - DO NOT SCALE THIS PRINT				RFP	CAD FILE 16950760		SIZE
				DIST			DRAWING NO. PAGE 1 OF 1 REV.
						169507 1	