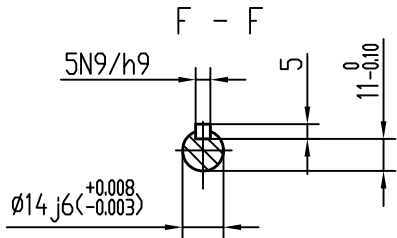
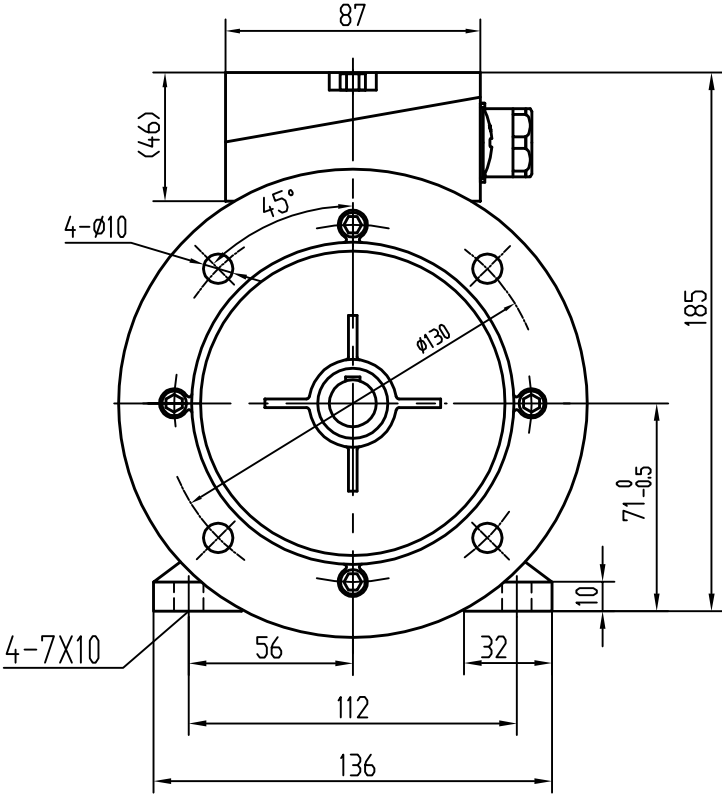
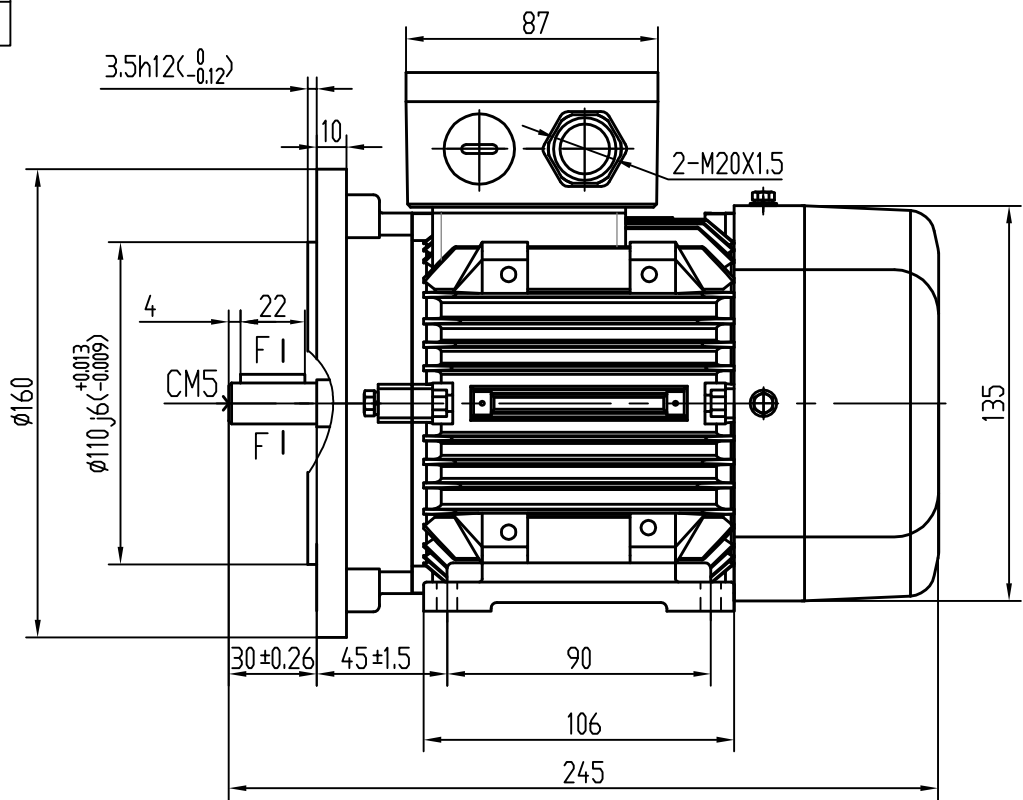


CAT. NO.
192034.30
192044.30
192025.30
192035.30
192016.30



Bases are removable and able to mount in all locations - 6:00, 9:00, 3:00.

NO.		REVISION	BY & DATE	CHK	ANG	TOLERANCES UNLESS SPECIFIED	REGAL REGAL-BELOIT CORPORATION		DRAWN		
						DEC. INCHES			CHK		
						X ±.1			APPD		
						JX ±.03	TITLE	OUTLINE DMA2-71 B35	SCALE		
						JXX ±.005			REF		
						JXXX ±.0005	MAT'L		FMF		
						JXXX ±1/2	FINISH		PREV		
THIS DRAWING IN DESIGN AND DETAIL IS OUR PROPERTY AND MUST NOT BE USED EXCEPT IN CONNECTION WITH OUR WORK ALL RIGHTS OF DESIGN AND INVENTION ARE RESERVED THIS IS AN ELECTRONICALLY GENERATED DOCUMENT - DO NOT SCALE THIS PRINT							RFP	CAD FILE	SIZE	DRAWING NO.	REV.
							DIST		B		