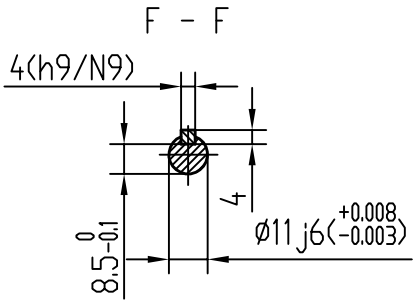
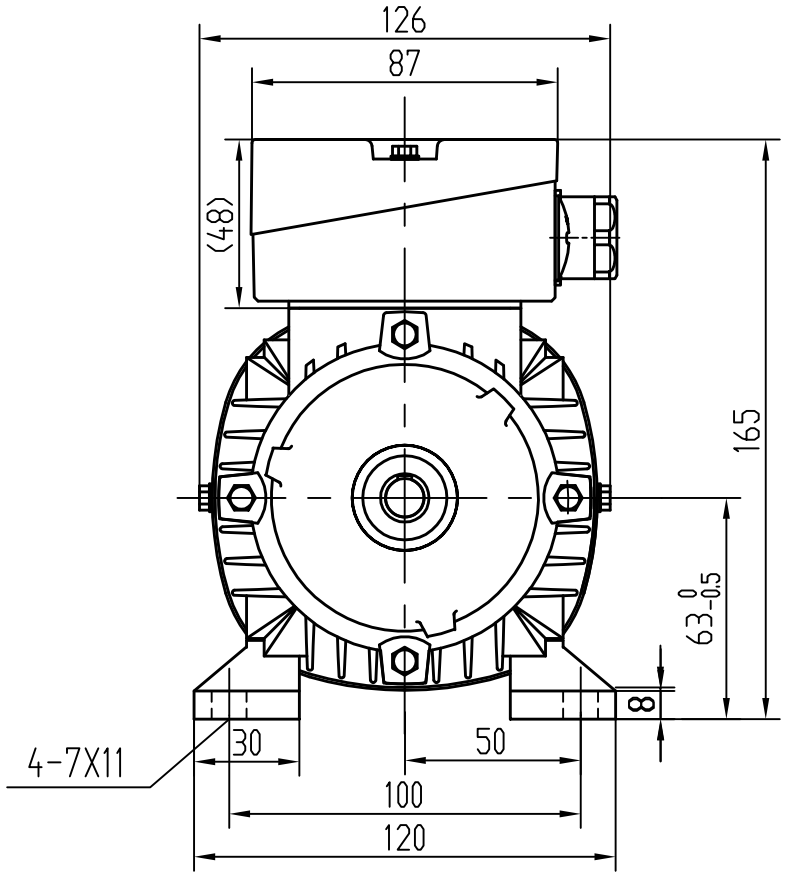
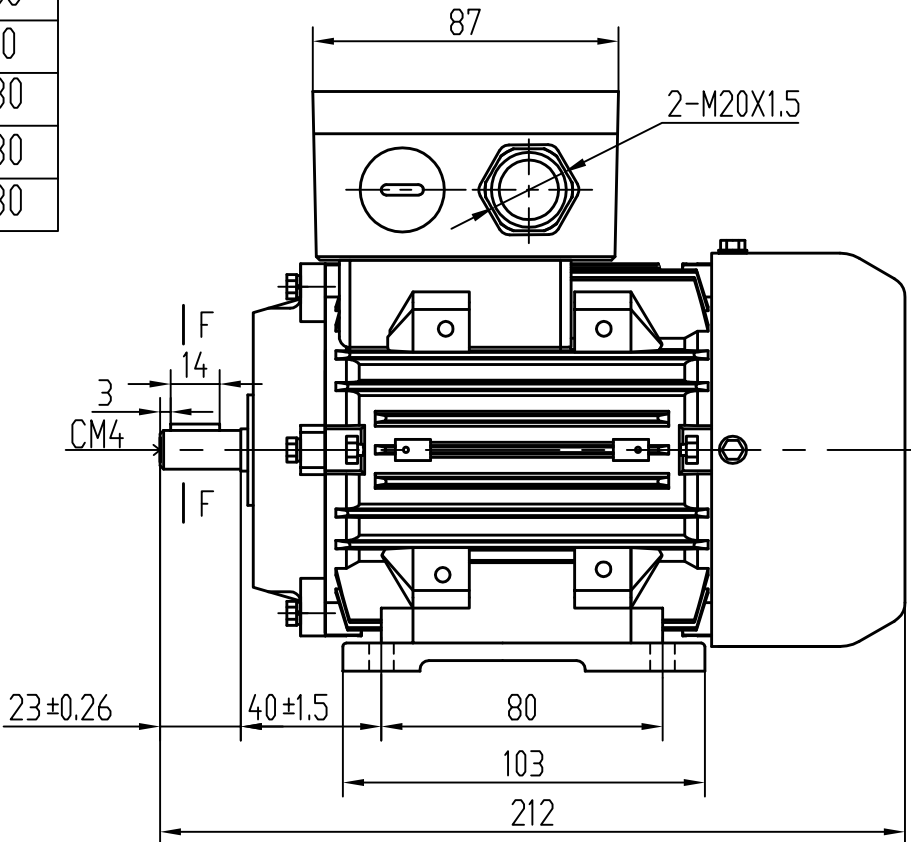


CAT. NO.
192010.30
192020.30
192011.30
192088.30
192097.30
192089.30



Bases are removable and able to mount in all locations - 6:00, 9:00, 3:00.

		TOLERANCES UNLESS SPECIFIED		REGAL REGAL-BELOIT CORPORATION		DRAWN
		DEC.	INCHES			CHK
		X	±.1	TITLE		APPD
		XX	±.03	OUTLINE DMA2-63 B3		SCALE
		XXX	±.005	MAT'L		REF
		XXXX	±.0005	FINISH		FHF
NO.	REVISION	BY & DATE	CHK	ANG	±1/2	PREV
THIS DRAWING IN DESIGN AND DETAIL IS OUR PROPERTY AND MUST NOT BE USED EXCEPT IN CONNECTION WITH OUR WORK ALL RIGHTS OF DESIGN AND INVENTION ARE RESERVED THIS IS AN ELECTRONICALLY GENERATED DOCUMENT - DO NOT SCALE THIS PRINT				RFP	CAD FILE	SIZE DRAWING NPL
				DIST		B
						REV.