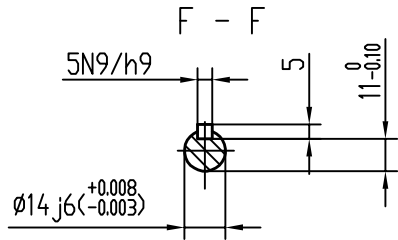
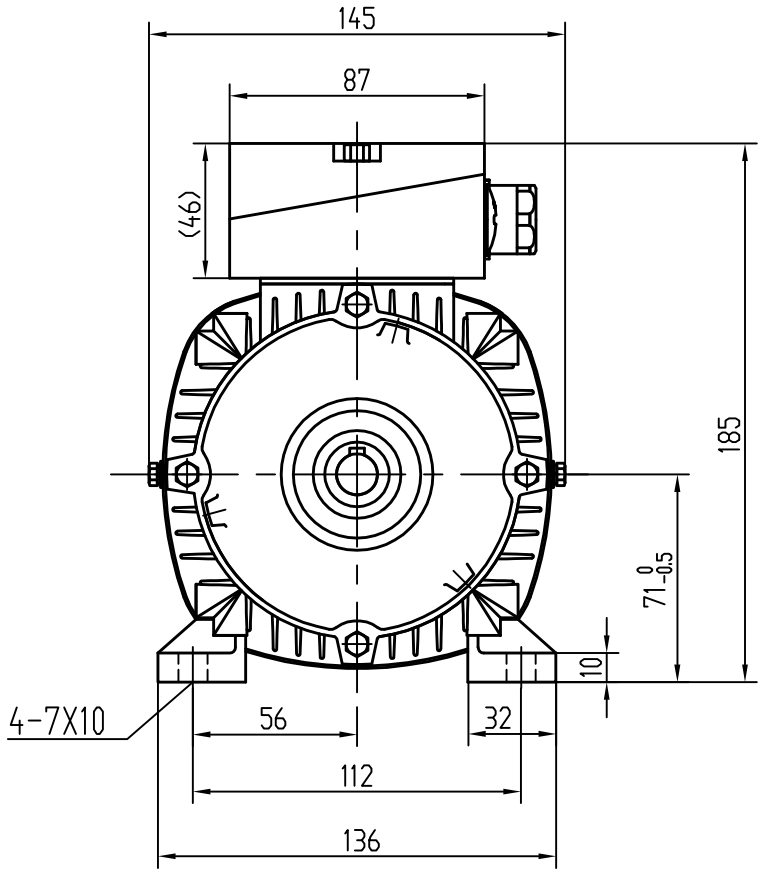
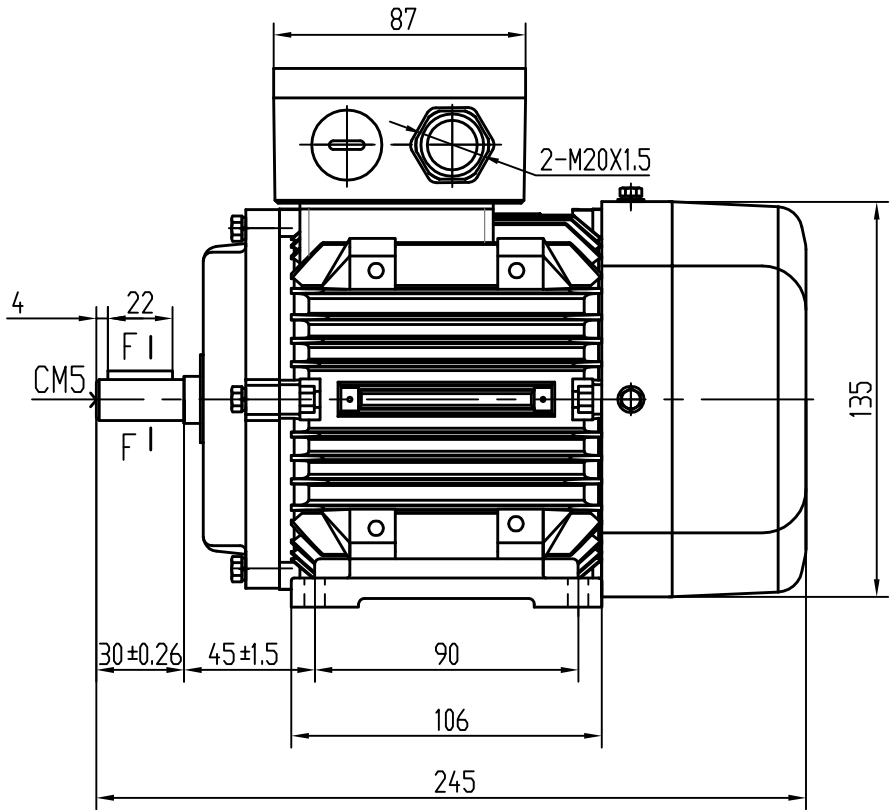



CAT. NO.
192030.30
192040.30
192021.30
192031.30
192012.30
192106.30
192115.30
192098.30
192107.30



Bases are removable and able to mount in all locations - 6:00, 9:00, 3:00.

		TOLERANCES UNLESS SPECIFIED		 REGAL-BELOIT CORPORATION	DRAWN				
		DEC.	INCHES		CHK				
		X	±.1		APPD				
		XX	±.03		SCALE				
		XXX	±.005		REF				
		XXXX	±.0005	MAT'L	FMF				
NO.	REVISION	BY & DATE	CHK	ANG	±1/2	FINISH			
THIS DRAWING IN DESIGN AND DETAIL IS OUR PROPERTY AND MUST NOT BE USED EXCEPT IN CONNECTION WITH OUR WORK. ALL RIGHTS OF DESIGN AND INVENTION ARE RESERVED. THIS IS AN ELECTRONICALLY GENERATED DOCUMENT - DO NOT SCALE THIS PRINT.				RFP	CAD FILE	SIZE	DRAWING NO.	REV.	
				DIST		B			