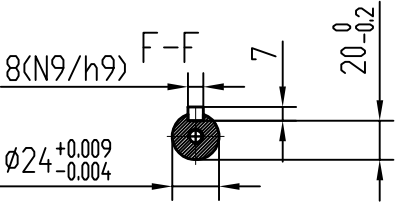
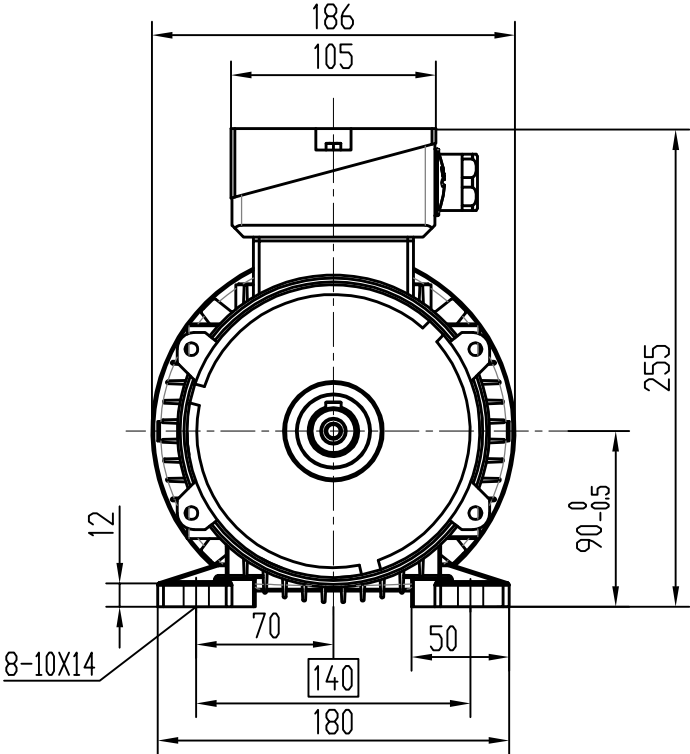
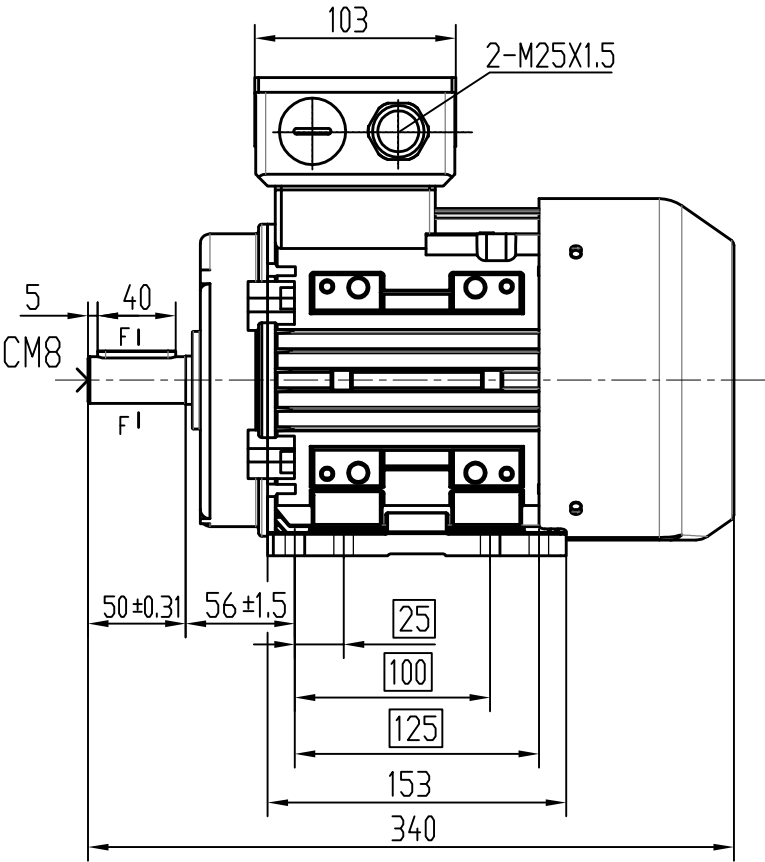



CAT. NO.
192208.30
192209.30
192202.30
192205.30
192200.30
192231.30
192233.30
192230.30
192232.30



Bases are removable and able to mount in all locations - 6:00, 9:00, 3:00.

		TOLERANCES UNLESS SPECIFIED		 REGAL-BELOIT CORPORATION	DRAWN			
		DEC.	INCHES		CHK			
		X	±.1		APPD			
		XX	±.03	TITLE	SCALE			
		XXX	±.005		REF			
		XXXX	±.0005	MAT'L	FWF			
NO.	REVISION	BY & DATE	CHK	ANG	±1/2	FINISH	PREV	
THIS DRAWING IN DESIGN AND DETAIL IS OUR PROPERTY AND MUST NOT BE USED EXCEPT IN CONNECTION WITH OUR WORK. ALL RIGHTS OF DESIGN AND INVENTION ARE RESERVED. THIS IS AN ELECTRONICALLY GENERATED DOCUMENT - DO NOT SCALE THIS PRINT.				RFP	CAD FILE	SIZE	DRAWING NO.	REV.
				DIST		B		