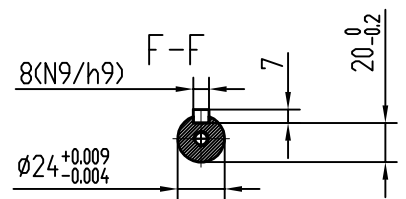
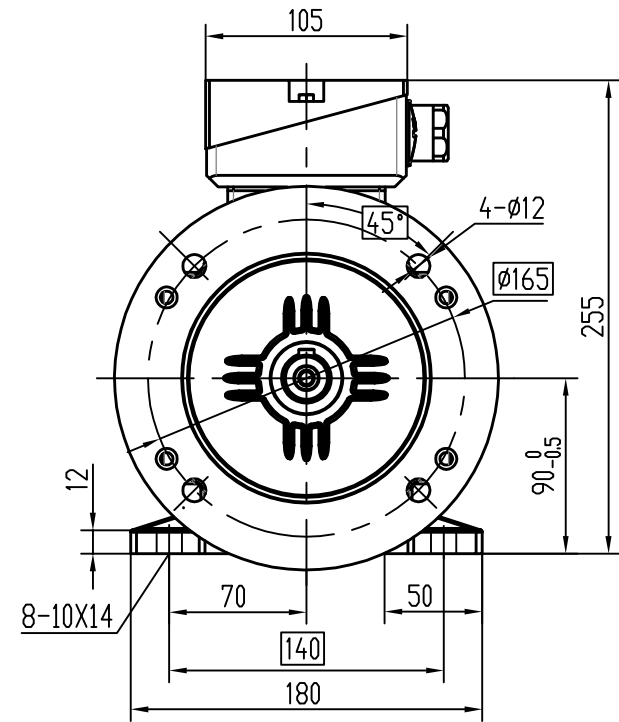
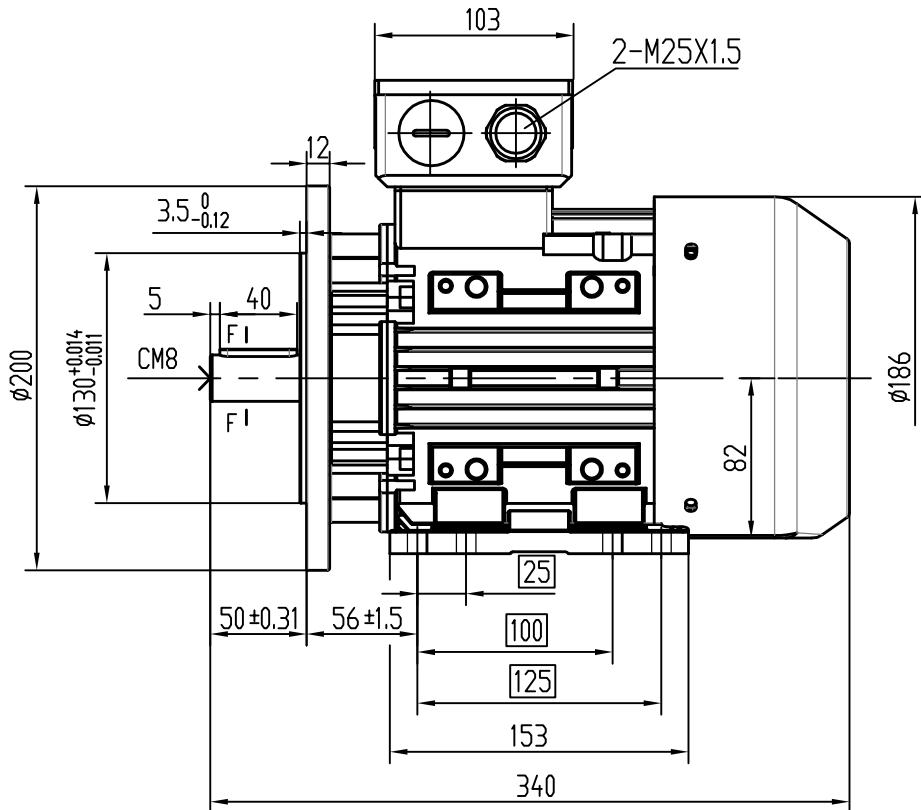


CAT. NO.
192210.30
192211.30
192203.30
192206.30
192201.30



Bases are removable and able to mount in all locations - 6:00, 9:00, 3:00.

		TOLERANCES UNLESS SPECIFIED		REGAL-BELOIT CORPORATION	DRAWN			
		DEC.	INCHES		CHK			
		X	±.1		APPD			
		XX	±.03		SCALE			
		XXX	±.005		REF			
		XXXX	±.0005	MAT'L	FMF			
NO.	REVISION	BY & DATE	CHK	ANG	±1/2	FINISH	PREV	
THIS DRAWING IN DESIGN AND DETAIL IS OUR PROPERTY AND MUST NOT BE USED EXCEPT IN CONNECTION WITH OUR WORK ALL RIGHTS OF DESIGN AND INVENTION ARE RESERVED THIS IS AN ELECTRONICALLY GENERATED DOCUMENT - DO NOT SCALE THIS PRINT				RFP	CAD FILE	SIZE	DRAWING NO.	REV.
				DIST		B		