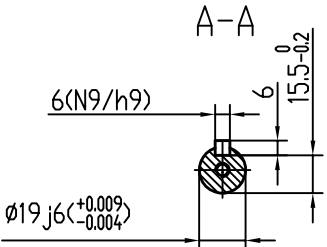
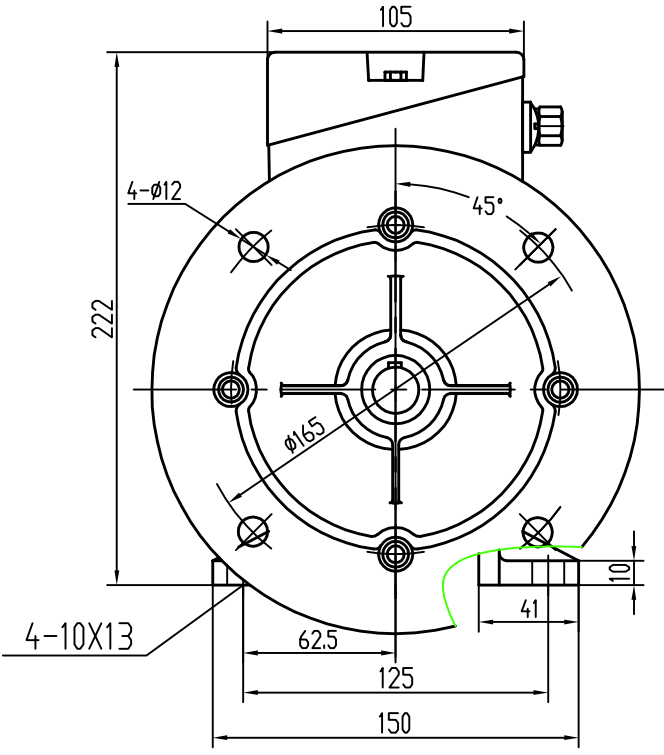
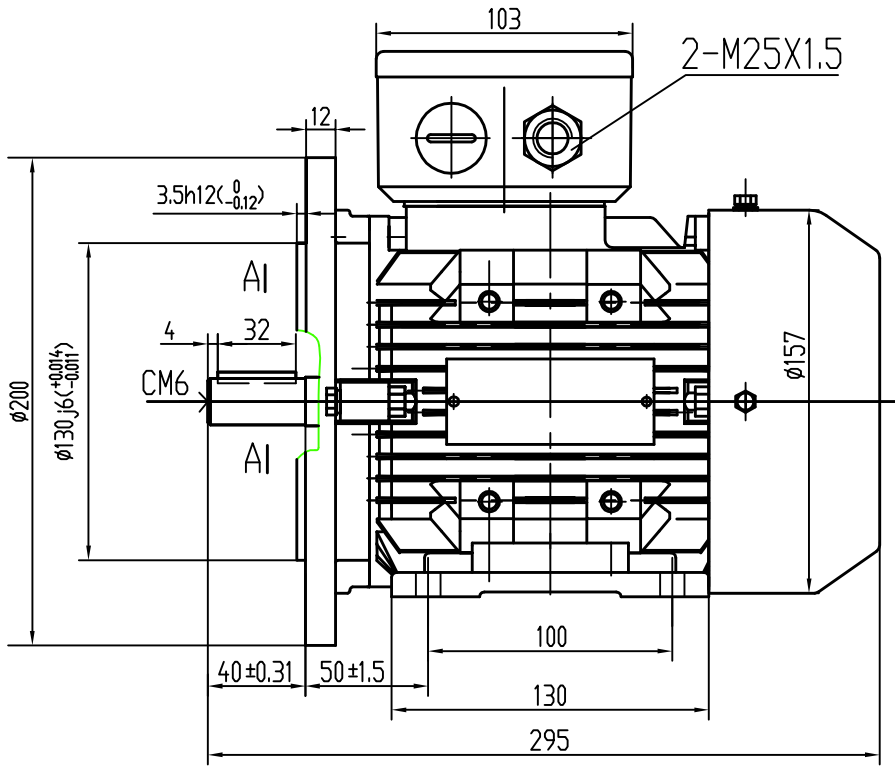


CAT. NO.
192054.30
192064.30
192045.30
192055.30
192026.30
192036.30
192108.40
192117.40
192046.30



Bases are removable and able to mount in all locations - 6:00, 9:00, 3:00.

NO.		REVISION		BY & DATE		CHK		ANG		FINISH		CAD FILE		SIZE		DRAWING NO.		REV.	
THIS DRAWING IN DESIGN AND DETAIL IS OUR PROPERTY AND MUST NOT BE USED EXCEPT IN CONNECTION WITH OUR WORK ALL RIGHTS OF DESIGN AND INVENTION ARE RESERVED THIS IS AN ELECTRONICALLY GENERATED DOCUMENT - DO NOT SCALE THIS PRINT										RFP		DIST		B					
										TOLERANCES UNLESS SPECIFIED		DEC. INCHES		REGAL REGAL-BELOIT CORPORATION		DRAWN			
										X ±.1		TITLE		OUTLINE DMA2-80 B35		CHK			
										XX ±.03				APPD					
										XXX ±.005				SCALE					
										XXXX ±.0005		MAT'L		REF					
														FIN					
														PREV					