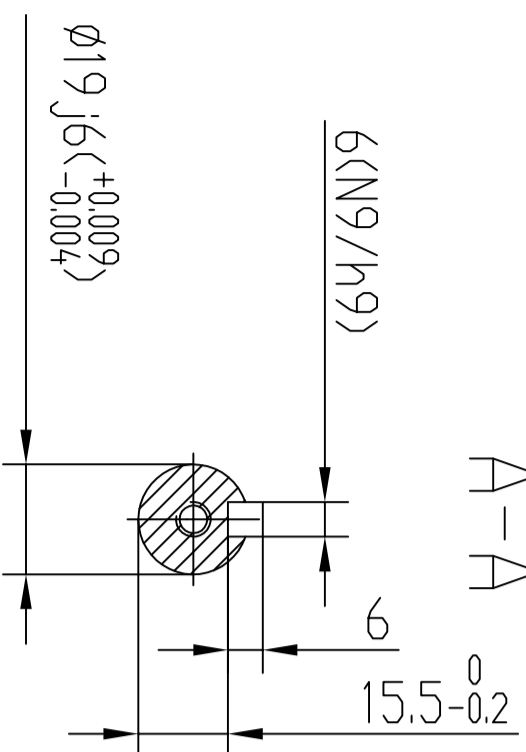


A-A



Feets Removable-Three Position Installed- 6:00, 9:00, 3:00.

0208000272

UNLESS SPECIFIED		TOLERANCES DEC. INCHES		DRAWN JACK 829	
XX	±.1	XX	±.03	CHK	
XXX	±.005	XXX	±.005	APPD	
XXXX	±.0005			SCALE	
FINISH		MAT'L.		REF	
CAD FILE		0208000272		FMF	VUXI
RFP		DIST		PREV	
TITLE		REGAL REGAL-BELOIT CORPORATION		REV.	
D80-D B35 Casting Aluminum Frame					
SIZE		DRAWING NO.			
B		0208000272			

ND.	REVISION	BY & DATE

THIS DRAWING IN DESIGN AND DETAIL IS OUR PROPERTY AND MUST NOT BE USED EXCEPT IN CONNECTION WITH OUR WORK. ALL RIGHTS OF DESIGN AND INVENTION ARE RESERVED. THIS IS AN ELECTRONICALLY GENERATED DOCUMENT - DO NOT SCALE THIS PRINT