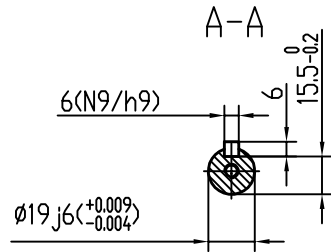
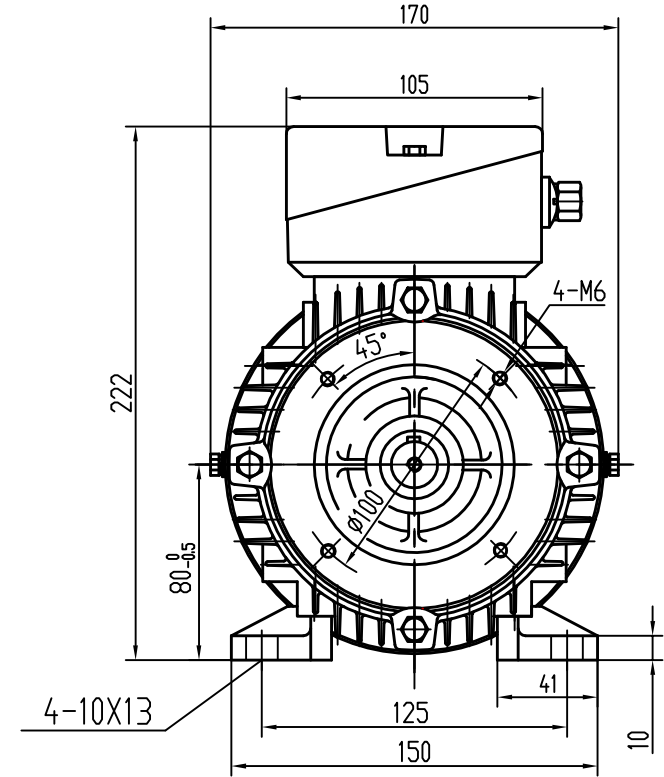
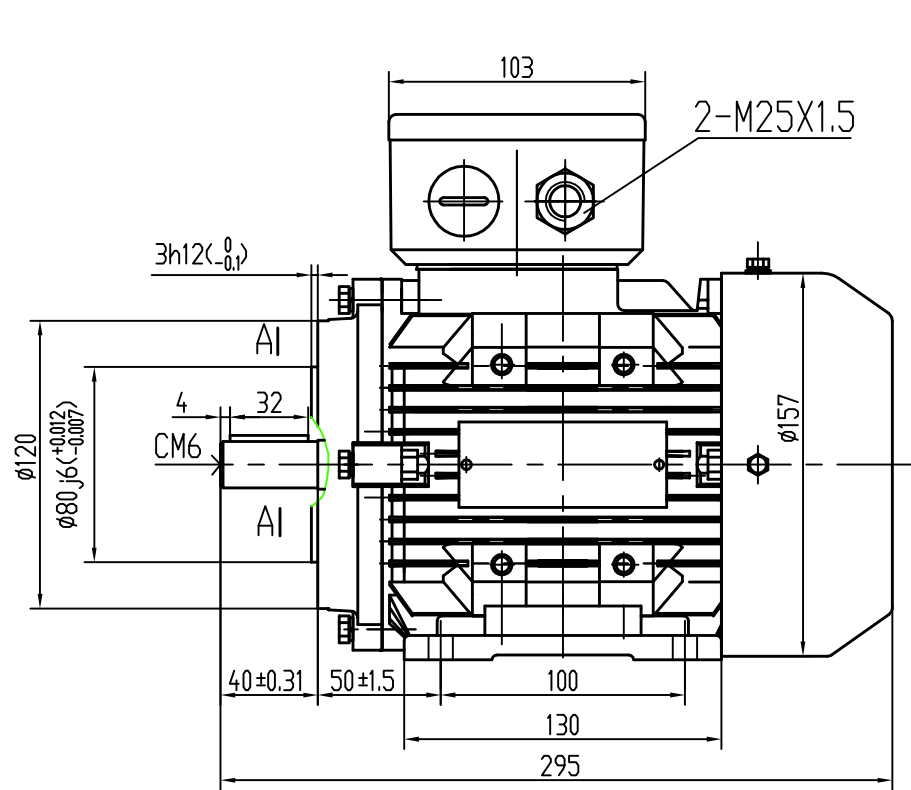



CAT. NO.
192057.30
192067.30
192048.30
192058.30
192029.30
192039.30
192049.30



Bases are removable and able to mount in all locations - 6:00, 9:00, 3:00.

NO.		REVISION	BY & DATE	CHK	ANG	TOLERANCES UNLESS SPECIFIED	 REGAL-BELOIT CORPORATION	DRAWN	
						DEC. INCHES		CHK	
						X ±.1			APPD
						XX ±.03		TITLE	SCALE
						XXX ±.005		OUTLINE DMA2-80 B34	REF
						XXXX ±.0005	MAT'L	FIN	
						FINISH		PREV	
THIS DRAWING IN DESIGN AND DETAIL IS OUR PROPERTY AND MUST NOT BE USED EXCEPT IN CONNECTION WITH OUR WORK ALL RIGHTS OF DESIGN AND INVENTION ARE RESERVED THIS IS AN ELECTRONICALLY GENERATED DOCUMENT - DO NOT SCALE THIS PRINT				RFP		CAD FILE	SIZE	DRAWING NO.	REV.
				DIST			B		