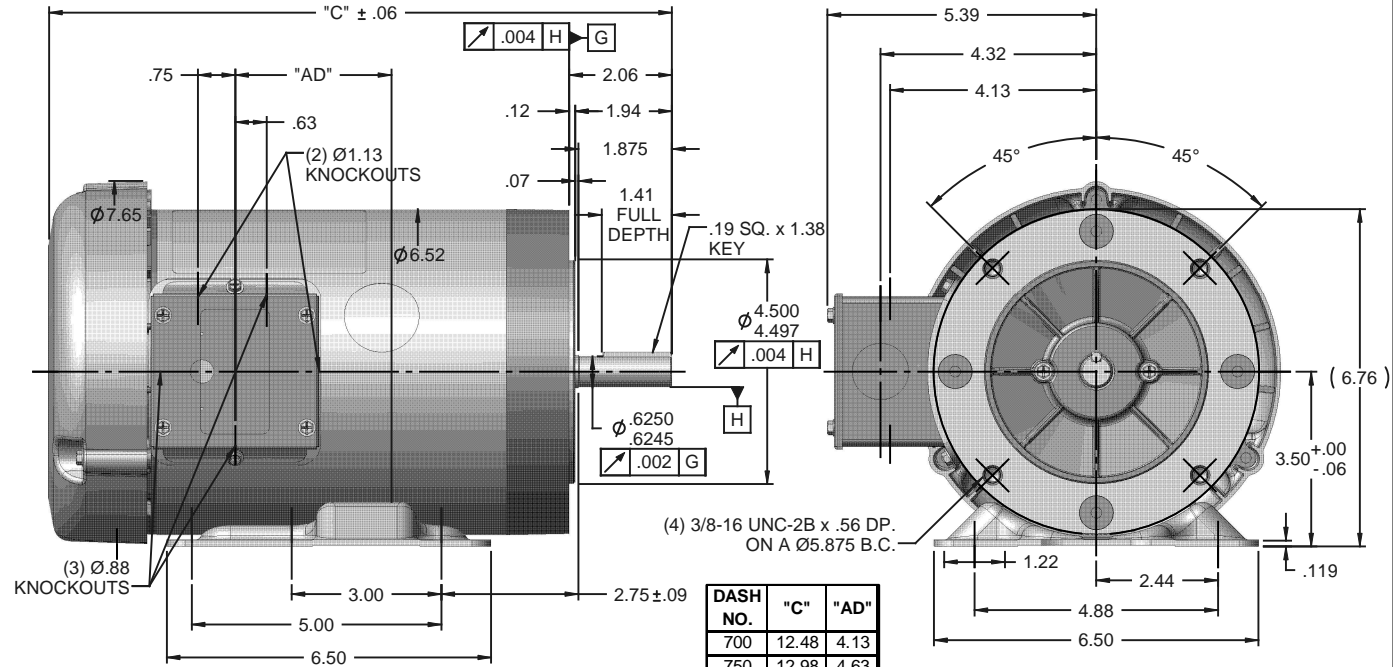



RBC PROPRIETARY AND CONFIDENTIAL INFORMATION  
 This document is the property of REGAL BELOIT CORPORATION ("RBC") including its subsidiaries and divisions and contains proprietary information of RBC. This document is loaned on the express condition that neither it nor the information contained therein shall be disclosed to others without the express written consent of RBC, and that the information shall be used by the recipient only as approved expressly by RBC. This document shall be returned to RBC upon its request. This document may be subject to certain restrictions under U.S. export control laws and regulations.



NOTE:  
 1) GASKETS THROUGHOUT

TOLERANCES UNLESS SPECIFIED:		ELECTRIC MOTORS GEARMOTORS AND DRIVES		DRAWN KMM 09/06/07			
DEC	INCHES	 TITLE OUTLINE - 56HC FRAME TEFC - RIGID "C" FACE MAT'L FINISH GENERAL PURPOSE		CHK			
.X	$\pm .1$			APPR			
.XX	$\pm .03$			SCALE	3:8		
.XXX	$\pm .005$			REF	028511		
.XXXX	$\pm .0005$			FMF	114615.00		
NO	REVISION	BY & DATE	CHK	ANG	$\pm 1/2^\circ$	PAGE	OF
THIRD ANGLE PROJECTION		RFP	PREV	SIZE	DRAWING NO	REV	
NETWORK FILE NAME				A	028795		