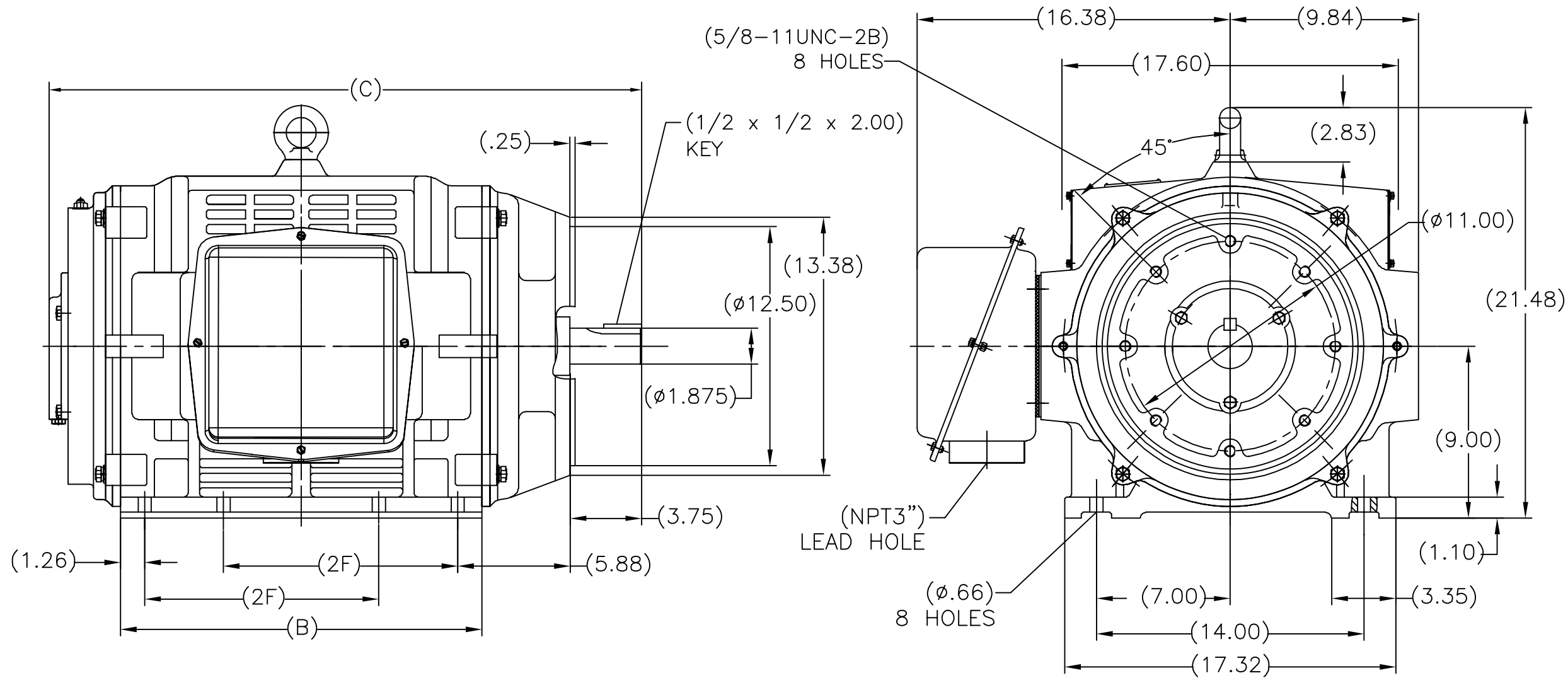


SS620596



(DRAWING MAY NOT BE TO SCALE)

364TSC	29.57	16.93	11.25
365TSC	31.14	18.51	12.25
FRAME	C	B	2F

		TOLERANCES UNLESS SPECIFIED		REGAL REGAL-BELOIT CORPORATION		DRAWN ZYH 11/05/2013
		DEC.	INCHES			CHK
		.X	±.1			APPD
		.XX	±.03	TITLE OUTLINE		SCALE N/A
		.XXX	±.005	364/365TSC FR - ODP - CAST IRON		REF
		.XXX	±.0005	MAT'L		FMF
NO.	REVISION	BY & DATE	CHK	ANG	FINISH	PREV
1	REVISED DIM's PER. ECO-0050387	RFH 04/30/2014				
THIS DRAWING IN DESIGN AND DETAIL IS OUR PROPERTY AND MUST NOT BE USED EXCEPT IN CONNECTION WITH OUR WORK ALL RIGHTS OF DESIGN AND INVENTION ARE RESERVED THIS IS AN ELECTRONICALLY GENERATED DOCUMENT - DO NOT SCALE THIS PRINT				RFP	CAD FILE SS620596	SIZE A
				DIST		DRAWING NO. PAGE 1 OF 1 REV. SS620596 1