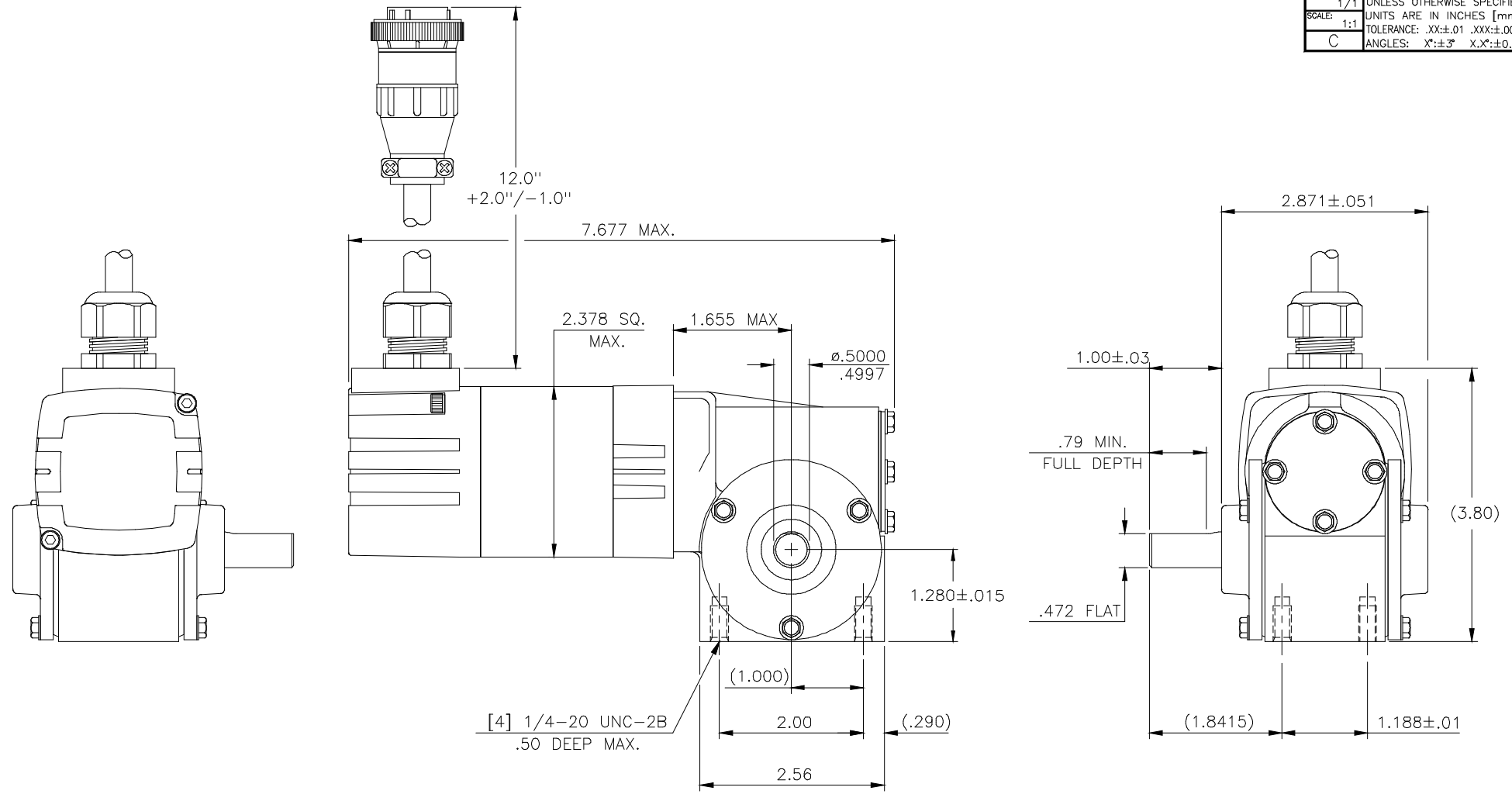


DESCRIPTION	GRMTR 22B4BEBL-3N
SHEET:	1/1 UNLESS OTHERWISE SPECIFIED:
SCALE:	1:1 UNITS ARE IN INCHES [mm]
	TOLERANCE: .XX:±.01 .XXX:±.005
C	ANGLES: X':±3° X.X':±0.5°



REPRESENTATIVE OF MODEL NUMBER(S):

3321 3322 3323 3324 3325