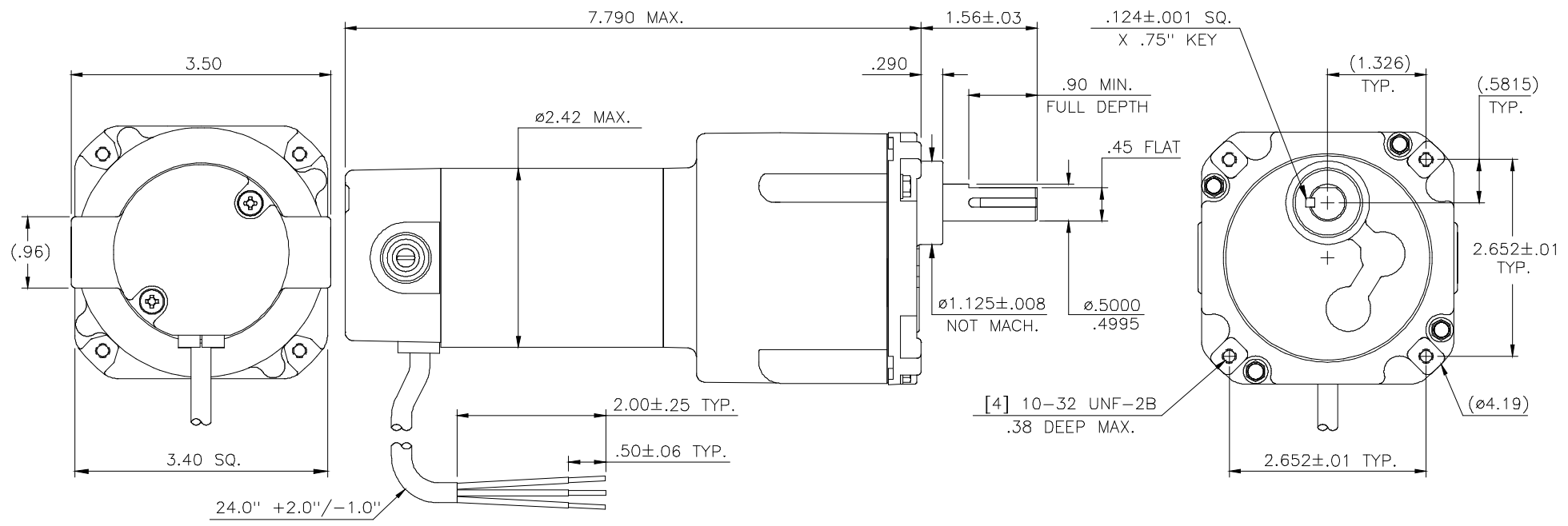


DESCRIPTION
GRMTR 24A4BEPM-Z3/4

SHEET:	1/1	UNLESS OTHERWISE SPECIFIED:
SCALE:	1:1	UNITS ARE IN INCHES [mm]
		TOLERANCE: .XX:±.01 .XXX:±.005
	C	ANGLES: X':±3° X.X':±0.5°



REPRESENTATIVE OF MODEL NUMBER(S):
0160 0161 0162 0163 4660 4661 4662 4663 7160