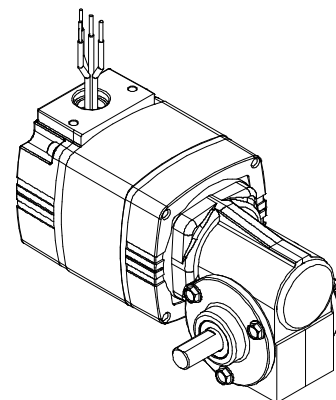
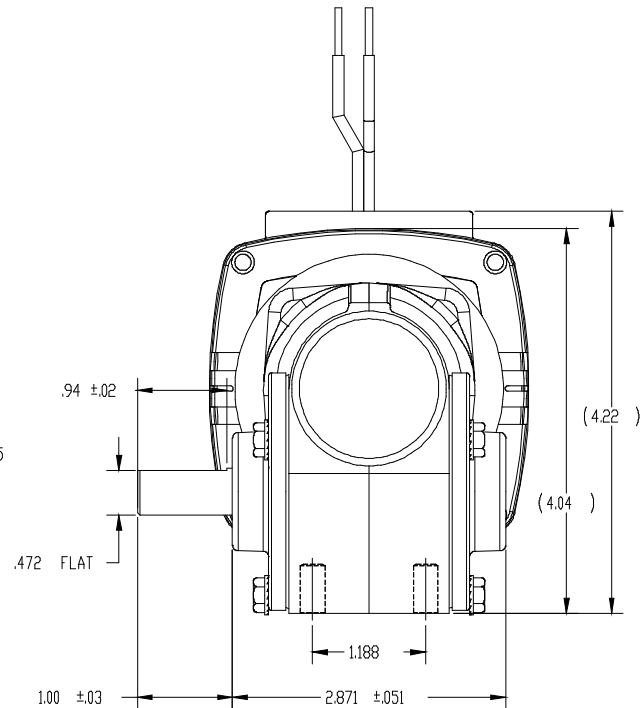
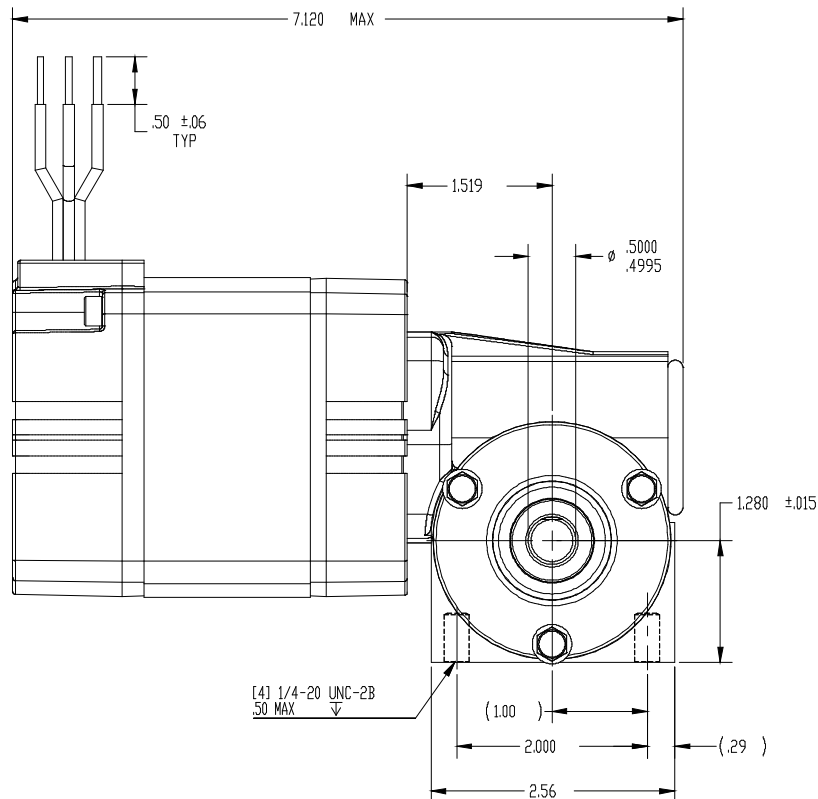
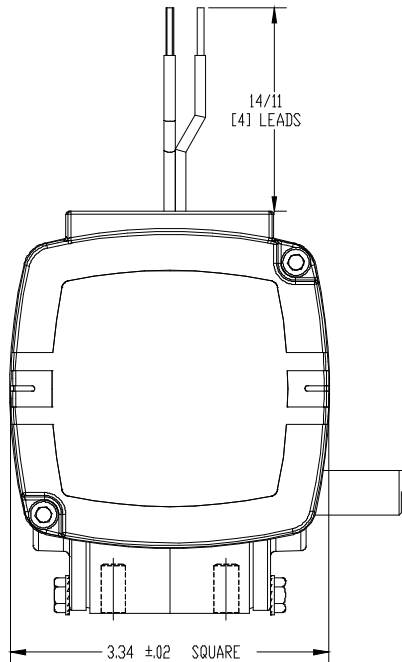


DESCRIPTION:	GEARMOTOR 30R4BEPM-3N
SHEET:	1/1
SCALE:	1:1
UNLESS OTHERWISE SPECIFIED: UNITS ARE IN INCHES (mm) TOLERANCES: XX:±.01 .XXX:±.005 ANGLES: X°:±3° X.X°:±0.5°	



REPRESENTATIVE OF MODEL NUMBER(S):
2290 2292 2293 2294 2296 2297