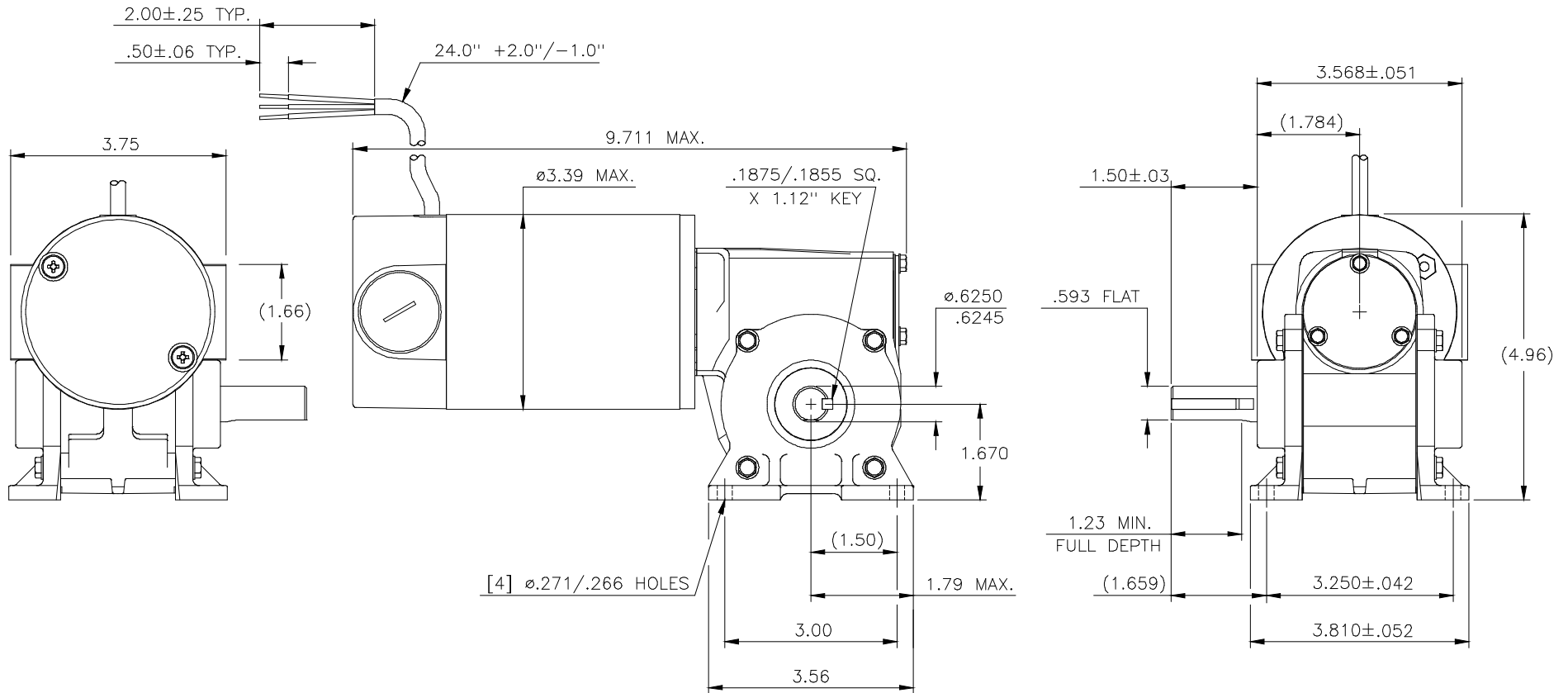


DESCRIPTION	
GRMTR 33A5BEPM-5N	
SHEET:	1/1
UNLESS OTHERWISE SPECIFIED:	
UNITS ARE IN INCHES [mm]	
SCALE:	3:4
TOLERANCE: .XX:±.01 .XXX:±.005	
C	ANGLES: X':±3° X.X':±0.5°



REPRESENTATIVE OF MODEL NUMBER(S):

6134 6135 6136 6137 6138 6634 6635 6636 6637 6638