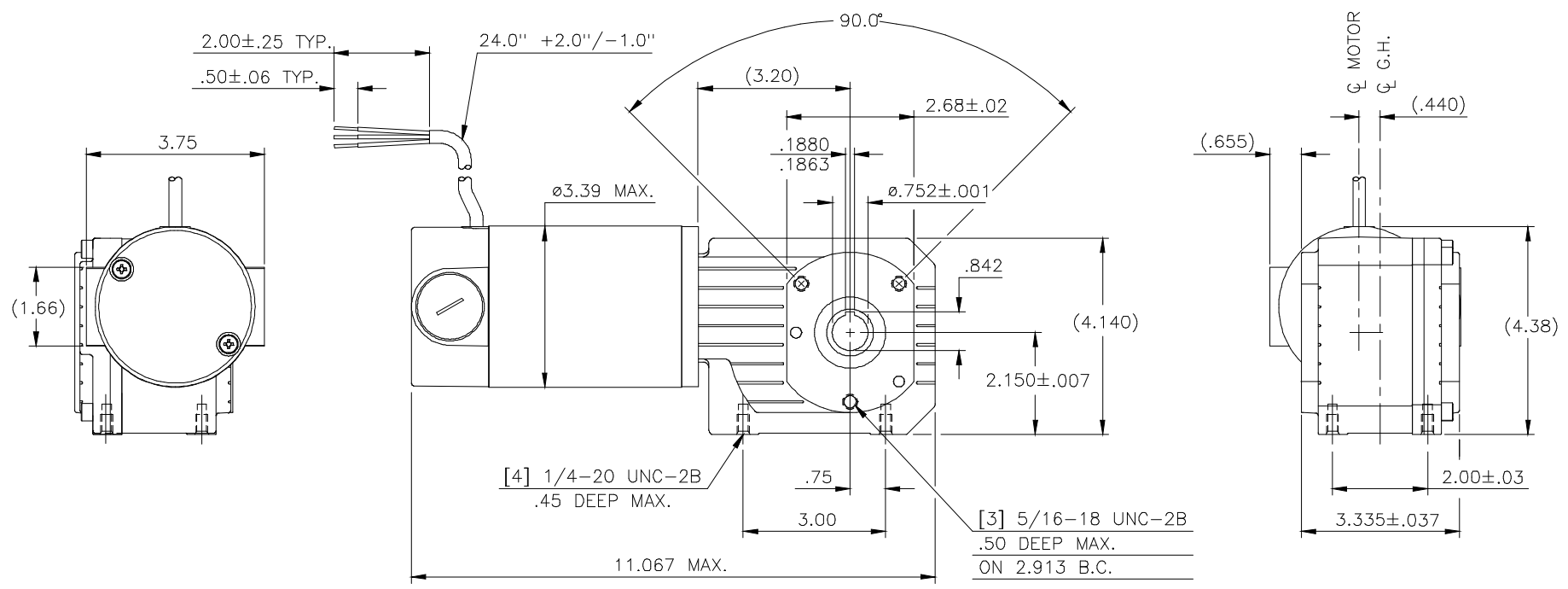


DESCRIPTION
GRMTR 33A5BEPM-GB/H

SHEET:	1/1	UNLESS OTHERWISE SPECIFIED:
SCALE:	3:5	UNITS ARE IN INCHES [mm]
	C	TOLERANCE: .XX±.01 .XXX±.005
		ANGLES: X°±.3° X.X°±0.5°



REPRESENTATIVE OF MODEL NUMBER(S):

7060 7062 7064 7066