

4

3

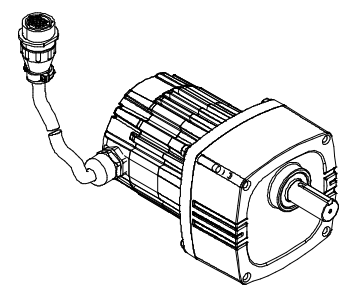
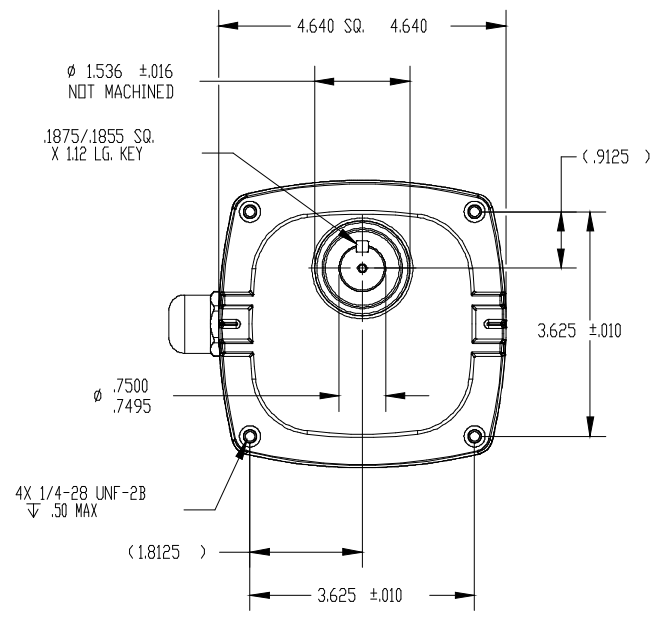
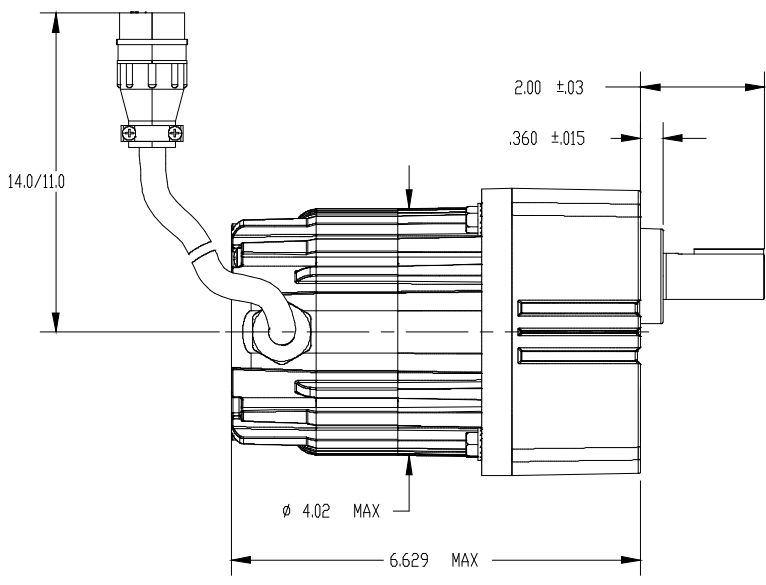
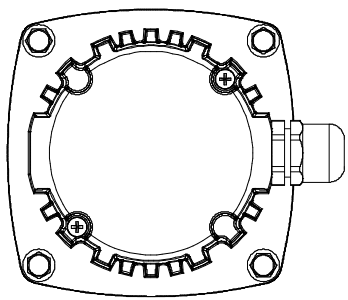
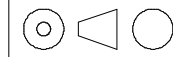
2

BODINE ELECTRIC COMPANY

PART NO./REV: INFS0561 B

DESCRIPTION: GEARMOTOR 34B3BEBL-E/F

SHEET:	1/1	UNLESS OTHERWISE SPECIFIED:
SCALE:	1:2	UNITS ARE IN INCHES [mm]
	B	TOLERANCES: XX:±.01 XXX:±.005
		ANGLES: X'±3° X.X'±0.5°



REPRESENTATIVE OF MODEL NUMBER(S):  
3373 3374 3375

4

3

2

1