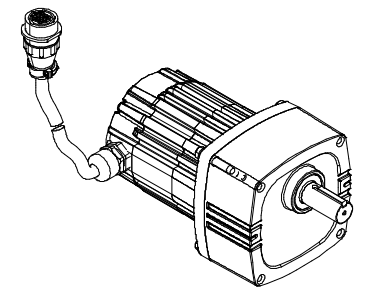
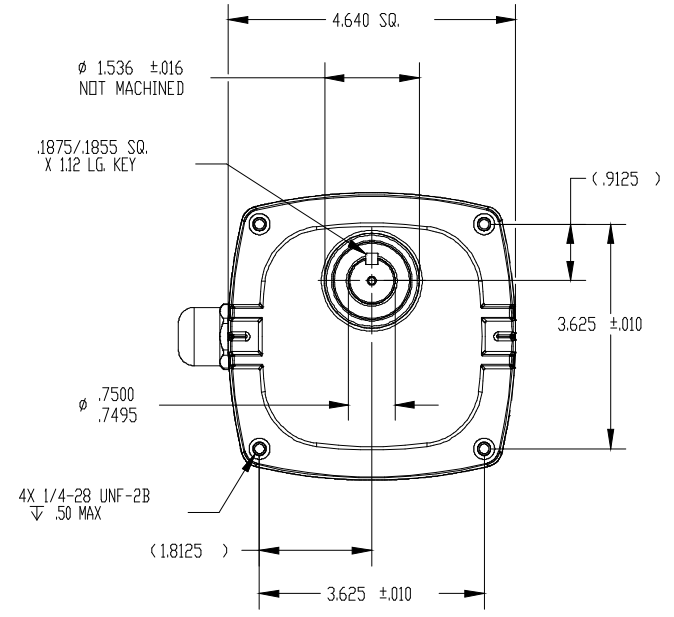
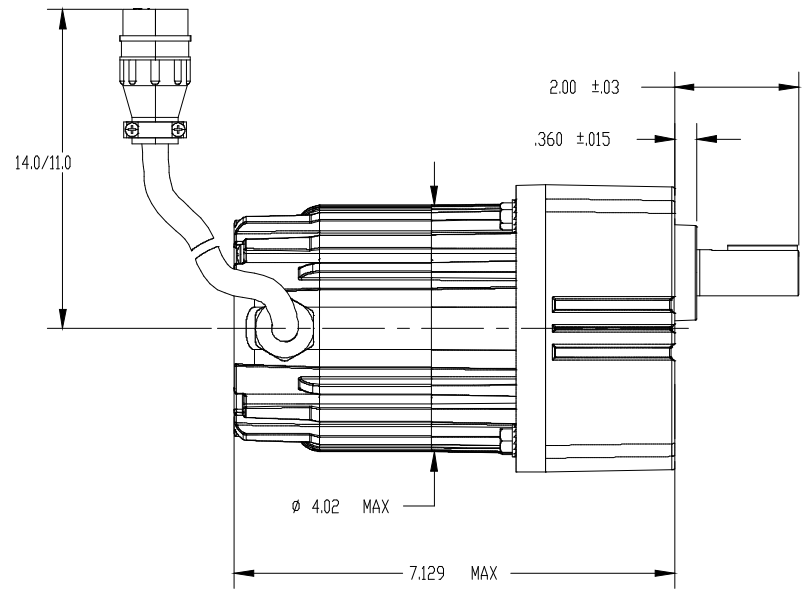
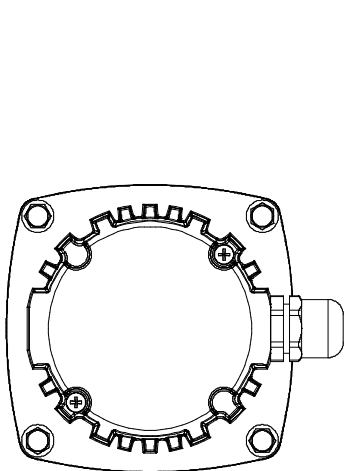
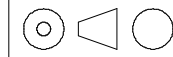


BODINE ELECTRIC COMPANY

PART NO./REV: INFS0562 B

DESCRIPTION:
GEARMOTOR 34B4BEBL-E/F

SHEET:	1/1	UNLESS OTHERWISE SPECIFIED:
SCALE:	1:2	UNITS ARE IN INCHES [mm]
	B	TOLERANCES: XX:±.01 XXX:±.005
		ANGLES: X'±3° X.X'±0.5°



REPRESENTATIVE OF MODEL NUMBER(S):
3379, 3380, 3382, 3383, 3385

4

3

2

1