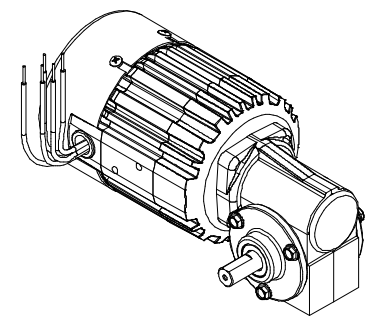
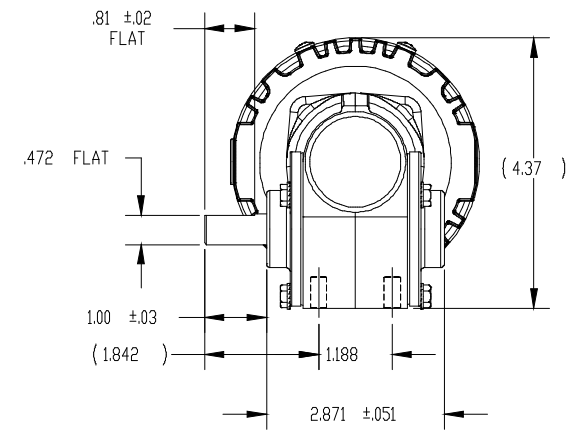
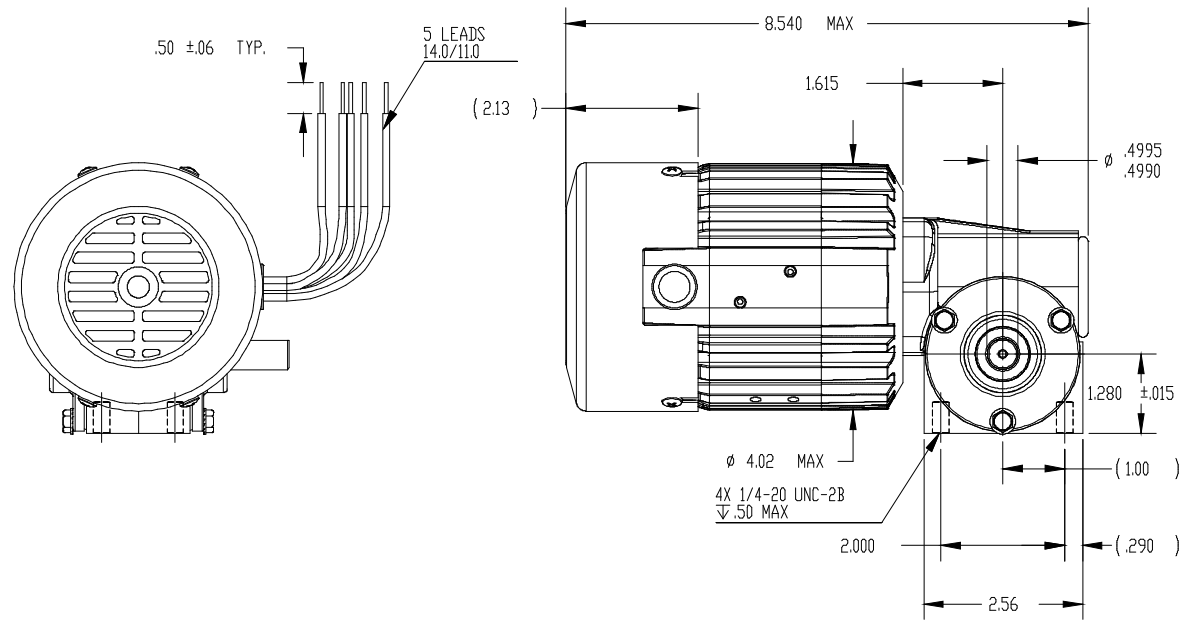
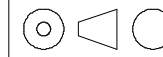


BODINE ELECTRIC COMPANY

PART NO./REV:	INFS0560	C
DESCRIPTION:	GEARMOTOR 34R4BF-3F	
SHEET:	1/1	UNLESS OTHERWISE SPECIFIED:
SCALE:	1:2	UNITS ARE IN INCHES [mm]
B		TOLERANCES: XX:±.01 XXX:±.005
		ANGLES: X'±3° X.X'±0.5°



REPRESENTATIVE OF MODEL NUMBER(S):  
0487 0488 0489 0490 0491 0492

4

3

2

1

4

3

2