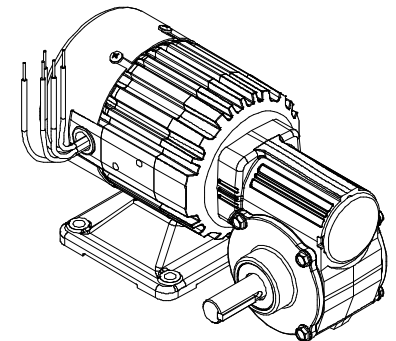
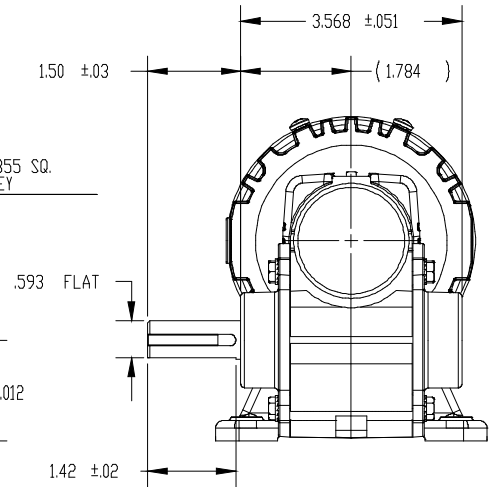
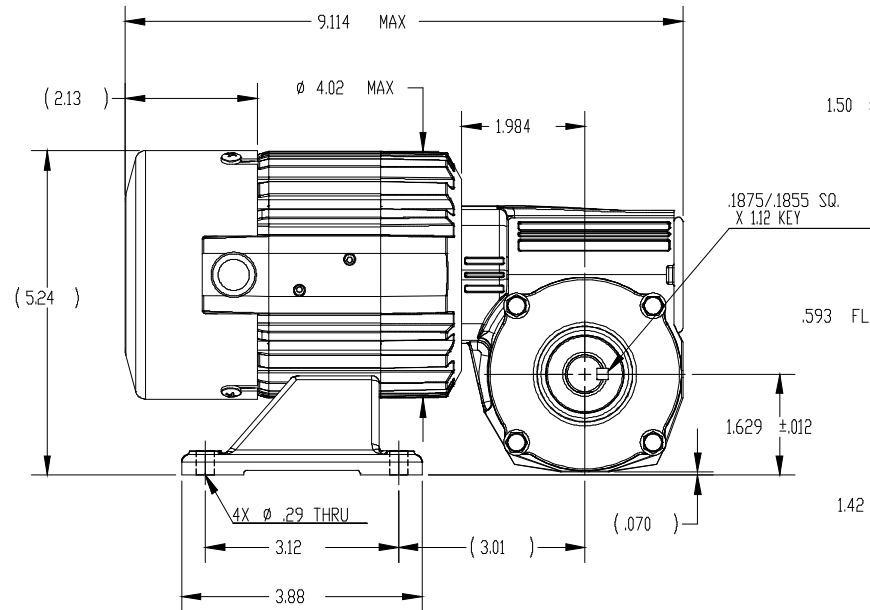
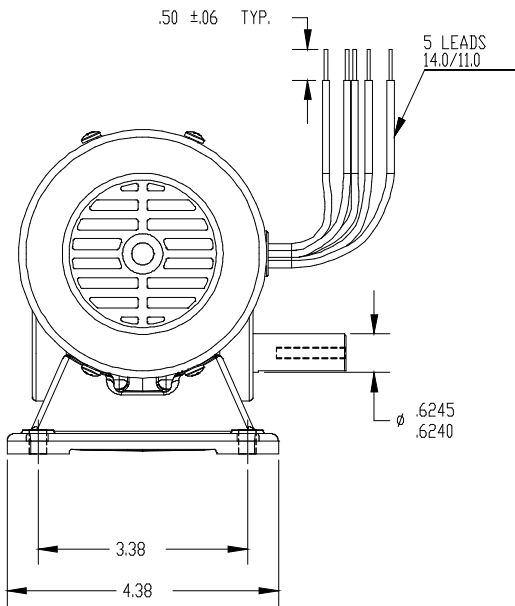
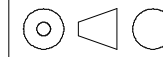


BODINE ELECTRIC COMPANY

PART NO./REV: INF50559 D

DESCRIPTION:  
GEARMOTOR 34R4BF-5R

SHEET:	1/1	UNLESS OTHERWISE SPECIFIED:
SCALE:	1:4	UNITS ARE IN INCHES [mm]
	B	TOLERANCES: XX:±.01 XXX:±.005
		ANGLES: X°±3' XX°±0.5°



REPRESENTATIVE OF MODEL NUMBER(S):  
0465 0466 0468 0469

4

3

2

1

4

3

2