

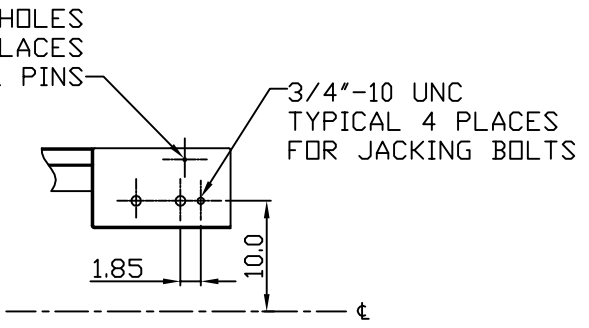
TECHNICAL INFORMATION

1. BEARING LUBRICATION DE: MOBIL POLYREX EM
ODE: MOBIL POLYREX EM
2. BEARING TYPE DE: 6321C3
ODE: 6321C3 (INSULATED)
3. WINDING TEMP. DETECTORS
NUMBER AND TYPE: 6xRTD(Pt0°C-100ohm)
LOCATION: IN STATOR SLOT
4. BEARING TEMP. DETECTORS
NUMBER AND TYPE: N/A
5. SPACE HEATER 1 PHASE
VOLTS: 120 WATTS: 400
6. ROTATION: CCW VIEWED FROM NON DRIVE END
THIS MOTOR IS BI DIRECTIONAL
7. MOTOR PAINT COLOR: GRAY
8. APPROX. WEIGHT: 5000 Lbs.
9. ACCESORIES:

| DRAWING LIST | | | | | |
|--|--------|-----|--------------|-----|--------|
| MAIN TERMINAL BOX 130-7622-55 | | | | | |
| AUX TERMINAL BOX FOR SPACE HEATER 130-7520-50 R.T.D. 130-7522-51 THERMISTOR - | | | | | |
| PRODUCTION # | - | 1 | GRS FROM SRI | RWS | 1/2/14 |
| | | 0 | FIRST ISSUE | MH | 012904 |
| UNITS: | INCHES | NO. | REVISION | BY | DATE |

MOTOR OUTLINE FOR THREE PHASE INDUCTION MOTOR

| CUSTOMER NAME | | | | P.O. NO. | MOTOR TAG NO. | |
|--|-------------------|--------------|------------------------|--------------------------------------|--------------------------|-----------------|
| OUTPUT HP | POLE | VOLTAGE V | FREQUENCY Hz | FULL LOAD SPEED (min ⁻¹) | TOSHIBA MODEL NO. | |
| TYPE | FORM | INS. CLASS F | RATING CONT. | FRAME 5011/12US | S.F. | ENCLOSURE WP-II |
| TOSHIBA INTERNATIONAL CORPORATION HOUSTON, TEXAS U.S.A. | | | | | | |
| 3rd ANGLE PROJ. | PREPARED BY: M.HO | DATE: 012904 | CHECKED BY: D. HENSLEY | DATE: 012904 | DRAWING NO.: MDSL0087-06 | REV. 1 |



TYPICAL MOTOR PERFORMANCE DATA

Model: 4004WTAK11E-C

| | | | | | | | | |
|-----------|-----|------------|--------|--------|----------------|-------------|----------|--------------|
| HP | kW | Pole | FL RPM | Frame | Voltage | Hz | Phase | FL Amps |
| 400 | 298 | 4 | 1773 | 5012US | 4000 | 60 | 3 | 51 |
| Enclosure | IP | Ins. Class | S.F. | Duty | NEMA Nom. Eff. | NEMA Design | kVA Code | Ambient (°C) |
| WP-II | 24 | F | 1.15 | CONT | 92.7 | B | F | 40 C |

| | | | | | |
|--------------|--------|-------|---------|----------------|------------------|
| Load | HP | kW | Amperes | Efficiency (%) | Power Factor (%) |
| Full Load | 400 | 298.3 | 50.9 | 92.7 | 91.2 |
| ¾ Load | 300.00 | 223.7 | 38.9 | 92.9 | 89.2 |
| ½ Load | 200.00 | 149.1 | 27.9 | 92.5 | 83.2 |
| ¼ Load | 100.00 | 74.6 | 18.9 | 89.9 | 63.3 |
| No Load | | | 11.6 | | 8.0 |
| Locked Rotor | | | 291.40 | | 28.9 |

| | | | | |
|-------------------|----------------------|-----------------|--------------------|-------------------------------|
| Torque | | | | Rotor wk ² |
| Full Load (lb-ft) | Locked Rotor (% FLT) | Pull Up (% FLT) | Break Down (% FLT) | Inertia (lb-ft ²) |
| 1185 | 120 | 125 | 260 | 123.37 |

| | | | | | |
|--------------------|------|---------------------------|-----------|------------|----------------------------|
| Safe Stall Time(s) | | Sound Pressure dB(A) @ 1M | Bearings* | | Approx. Motor Weight (lbs) |
| Cold | Hot | | DE | NDE | |
| 27.1 | 13.7 | - | 6321C3 | 6321C3 INS | |

*Bearings are the only recommended spare part(s).

Motor Options:
Product Family:WP-II
Mounting:Footed,Shaft:US Shaft

| | |
|-------------|--|
| Customer | |
| Customer PO | |
| Sales Order | |
| Project # | |

Tag:

All characteristics are average expected values.

TOSHIBA INTERNATIONAL CORPORATION · HOUSTON, TEXAS U.S.A.

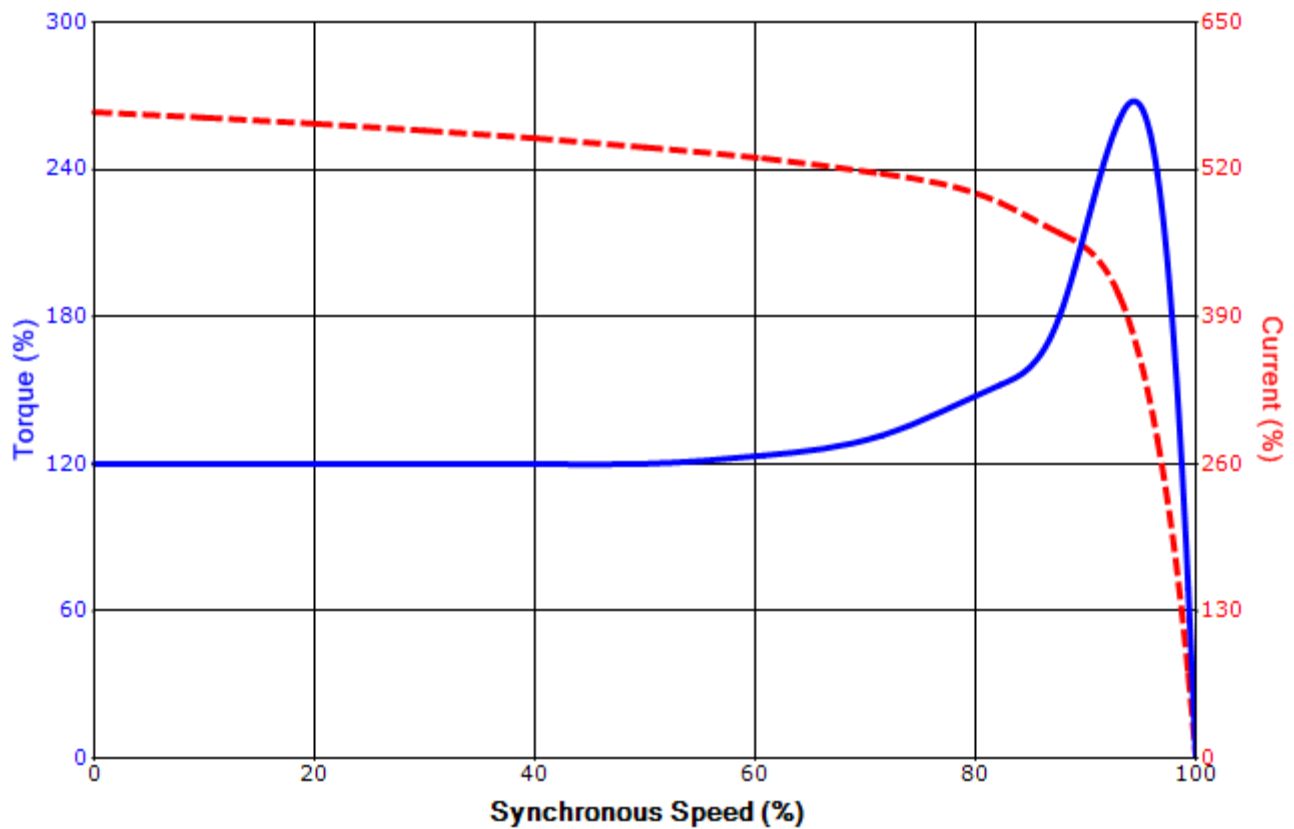
| | | | | | |
|-------------|-----------|------------------|-------------|-------------|---------------|
| Engineering | bmmamen | Doc. Written By | D. Suarez | Doc.# / Rev | MPCF-1119 / 0 |
| Engr. Date | 7/14/2014 | Doc. Approved By | M. Campbell | Doc. Issued | 6/8/2011 |

SPEED TORQUE/CURRENT CURVE

Model: 4004WTAK11E-C

| | | | | | | | | |
|-------------------|---|-------------------|------------------|-------------|----------------|-------------|----------|----------------|
| HP | kW | Pole | FL RPM | Frame | Voltage | Hz | Phase | FL Amps |
| 400 | 298 | 4 | 1773 | 5012US | 4000 | 60 | 3 | 51 |
| Enclosure | IP | Ins. Class | S.F. | Duty | NEMA Nom. Eff. | NEMA Design | kVA Code | Ambient (°C) |
| WP-II | 24 | F | 1.15 | CONT | 92.7 | B | F | 40 C |
| Locked Rotor Amps | Rotor wk ² Inertia (lb-ft ²) | Torque | | | | | | Break Down (%) |
| | | Full Load (lb-ft) | Locked Rotor (%) | Pull Up (%) | | | | |
| 291.40 | 123.37 | 1185 | 120 | 125 | | | 260 | |

Design Values



| | | | |
|-------------|--|--|-----|
| Customer | | wk ² Load Inertia (lb-ft ²) | - |
| Customer PO | | Load Type | - |
| Sales Order | | Voltage (%) | 100 |
| Project # | | Accel. Time | - |

Tag:

All characteristics are average expected values.

TOSHIBA INTERNATIONAL CORPORATION · HOUSTON, TEXAS U.S.A.

| | | | | | |
|-------------|-----------|------------------|-------------|-------------|---------------|
| Engineering | bmammen | Doc. Written By | D. Suarez | Doc.# / Rev | MPCF-1121 / 0 |
| Engr. Date | 7/14/2014 | Doc. Approved By | M. Campbell | Doc. Issued | 6/8/2011 |