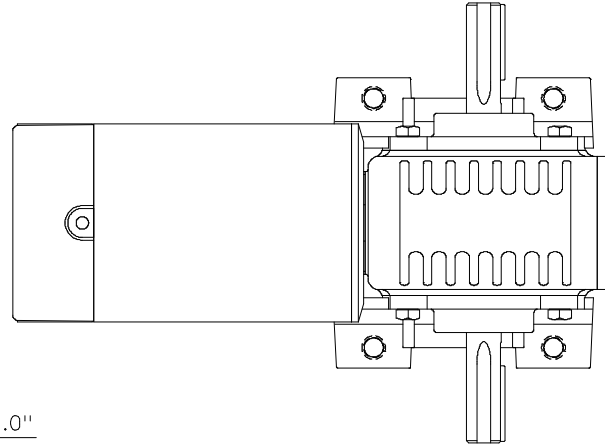
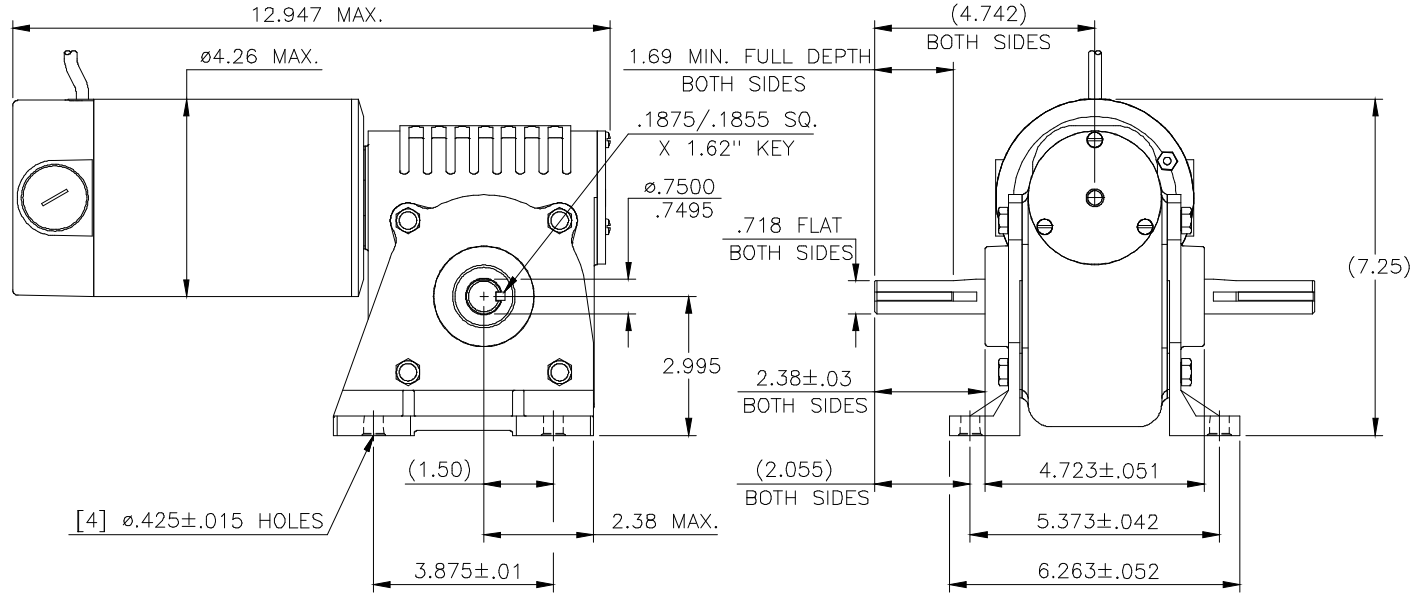
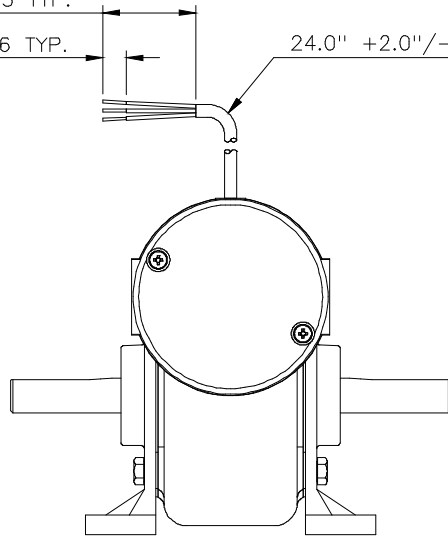


DESCRIPTION  
GRMTR 42A7BEPM-5H

SHEET:	1/1	UNLESS OTHERWISE SPECIFIED:
SCALE:	1:2	UNITS ARE IN INCHES [mm]
		TOLERANCE: .XX:±.01 .XXX:±.005
	C	ANGLES: X':±3° X.X':±0.5°



2.00±.25 TYP.  
.50±.06 TYP.  
24.0" +2.0"/-1.0"



REPRESENTATIVE OF MODEL NUMBER(S):

4100 4101 4102 4103 4730 4731 4732 4733