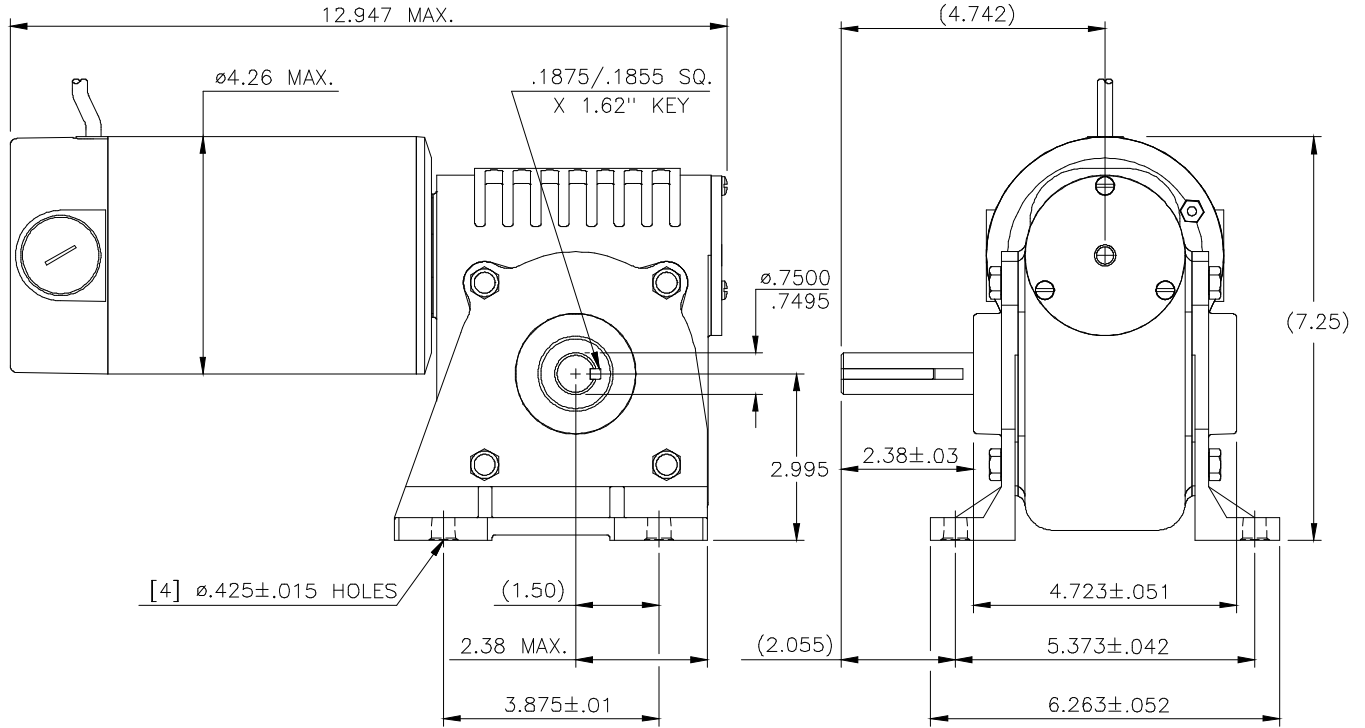
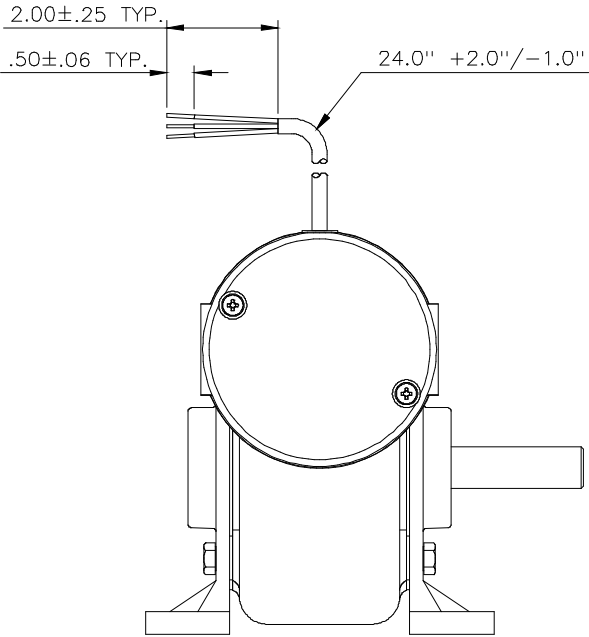
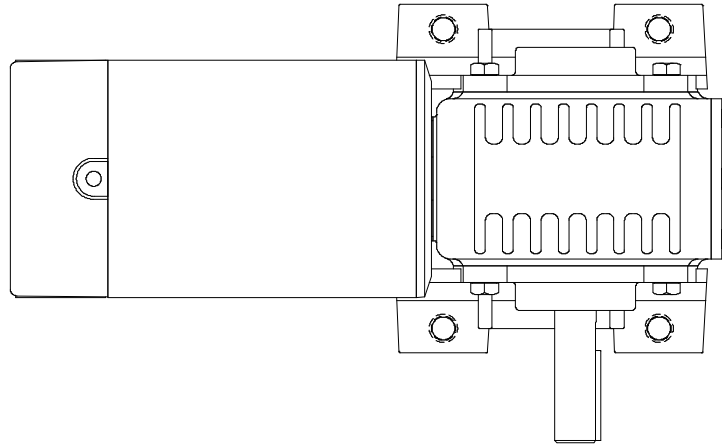




DESCRIPTION	GRMTR 42A7BEPM-5H
SHEET:	1/1 UNLESS OTHERWISE SPECIFIED:
SCALE:	3:5 UNITS ARE IN INCHES [mm]
	TOLERANCE: .XX:±.01 .XXX:±.005
C	ANGLES: X':±3° X.X':±0.5°



REPRESENTATIVE OF MODEL NUMBER(S):

4194 4196 4198 4199 4726 4727 4728 4729