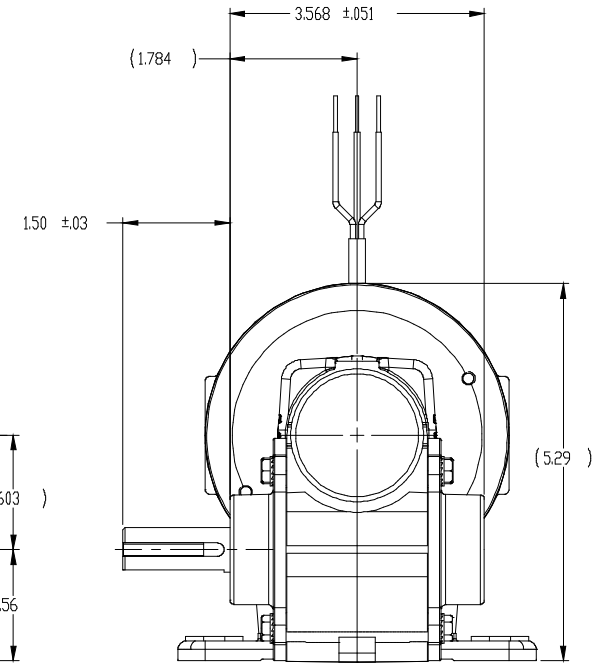
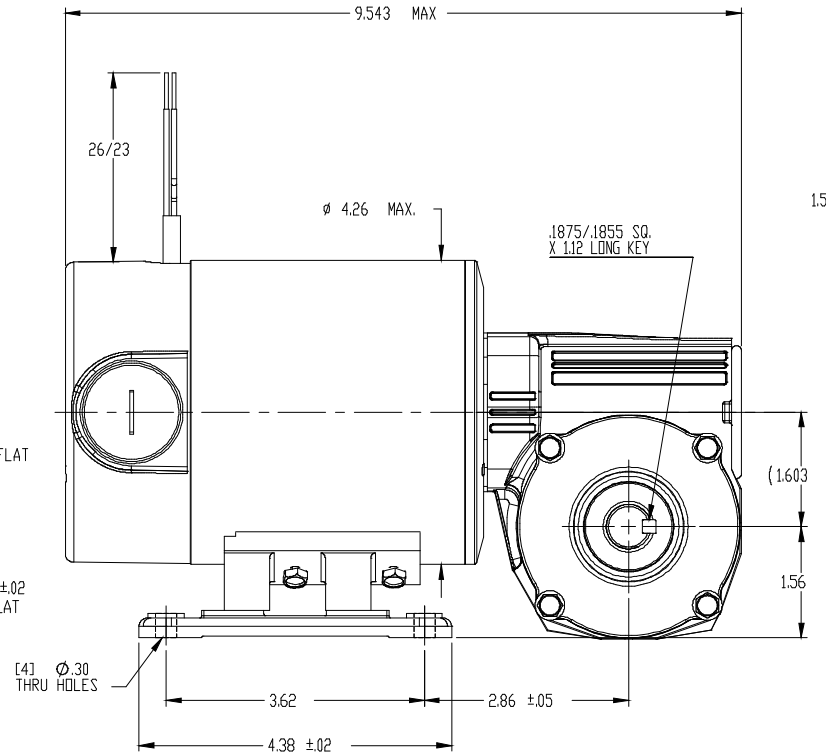
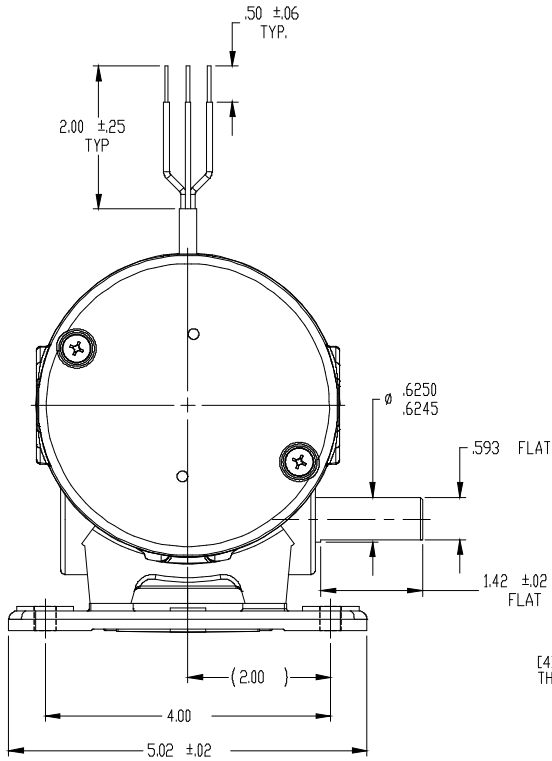


DESCRIPTION:
GEARMOTOR 42A4BEPM-5L

SHEET:	1/1	UNLESS OTHERWISE SPECIFIED:
SCALE:	1:1	UNITS ARE IN INCHES (mm)
		TOLERANCES: XX:±.01 .XXX:±.005
		ANGLES: X°:±3° X.X°:±0.5°



REPRESENTATIVE OF MODEL NUMBER(S):

4116 4117 4118 4119