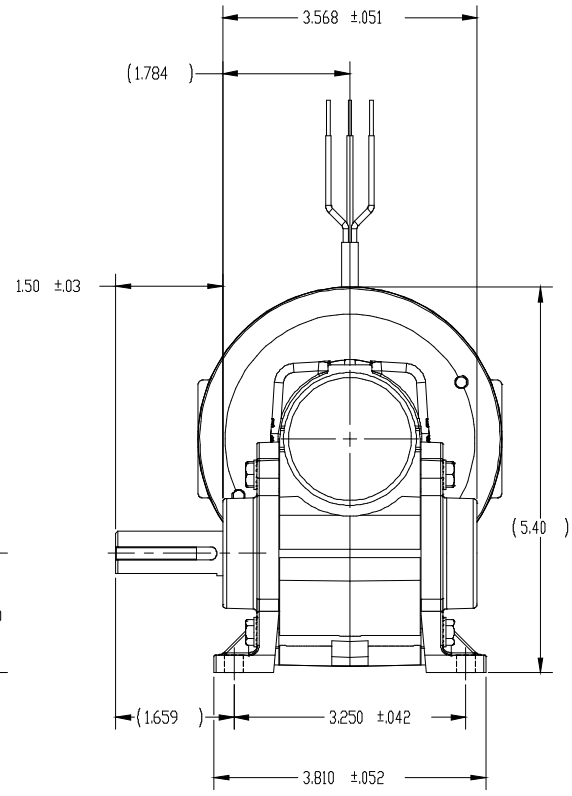
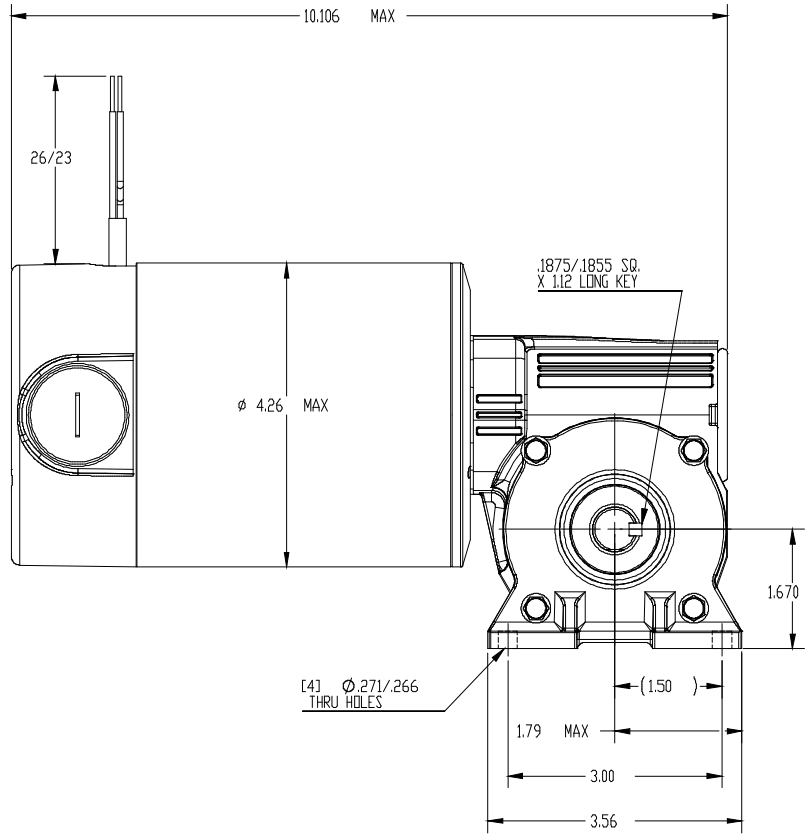
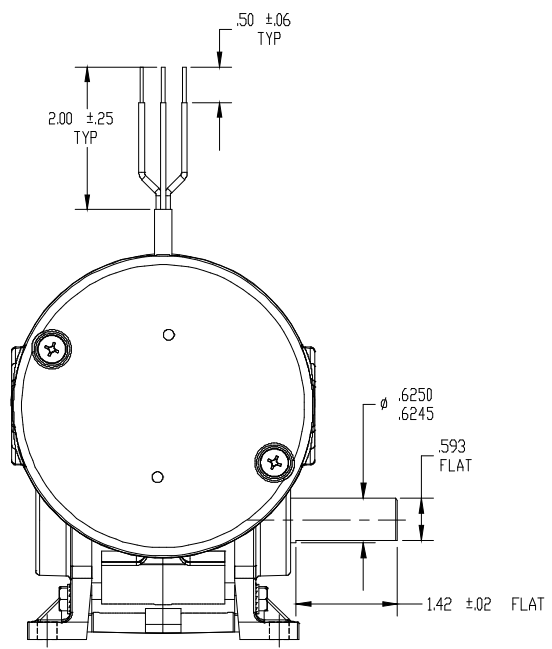
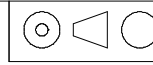


SHEET:	1/1	UNLESS OTHERWISE SPECIFIED:
SCALE:	3/4	UNITS ARE IN INCHES (mm)
		TOLERANCES: XX:±.01 XXX:±.005
		ANGLES: X°:±3° X.X°:±0.5°



REPRESENTATIVE OF MODEL NUMBER(S):  
 4134 4135 4136 4137 4138 4634 4635 4636 4637 4638 5734 5735 5736 5737 5738