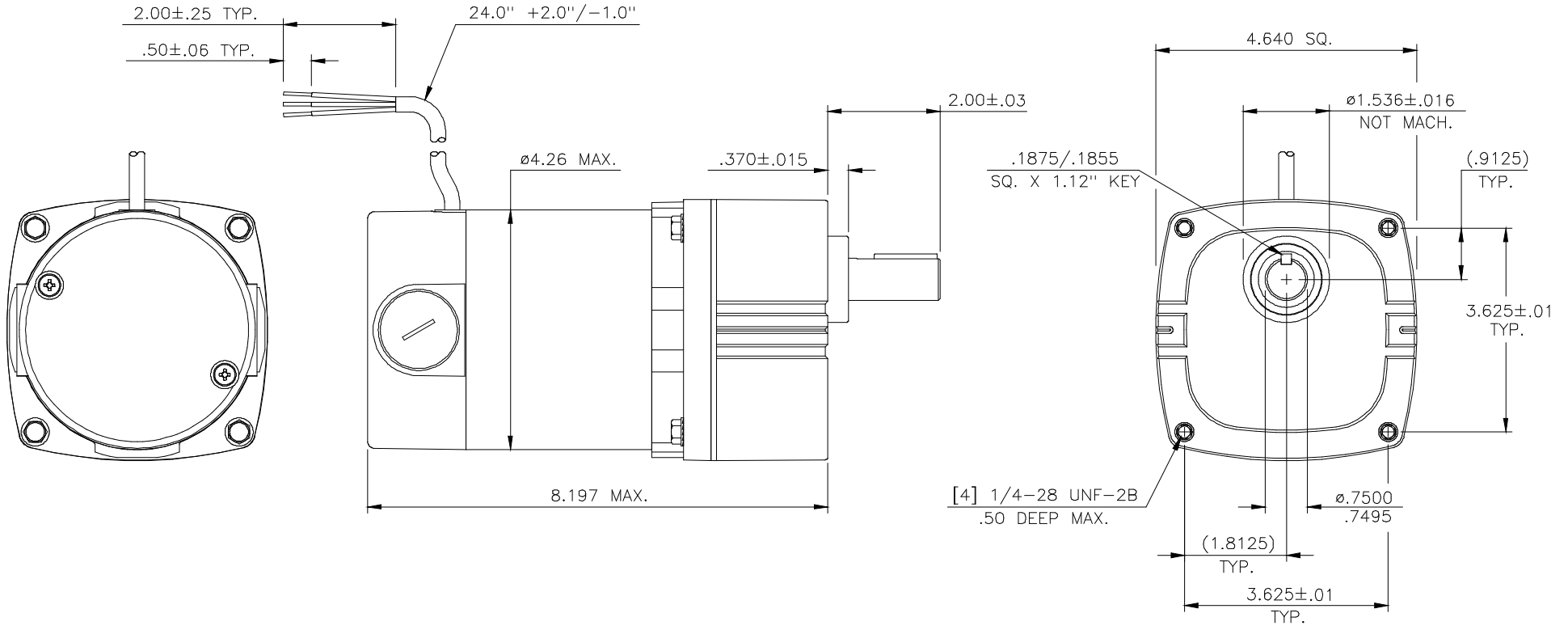




DESCRIPTION	GRMTR 42A3BEPM-E
SHEET:	1/1
SCALE:	3:4
C	UNLESS OTHERWISE SPECIFIED: UNITS ARE IN INCHES [mm] TOLERANCE: .XX:±.01 .XXX:±.005 ANGLES: X':±3° X.X':±0.5°



REPRESENTATIVE OF MODEL NUMBER(S):

4173 4174 4175 4673 4674 4675