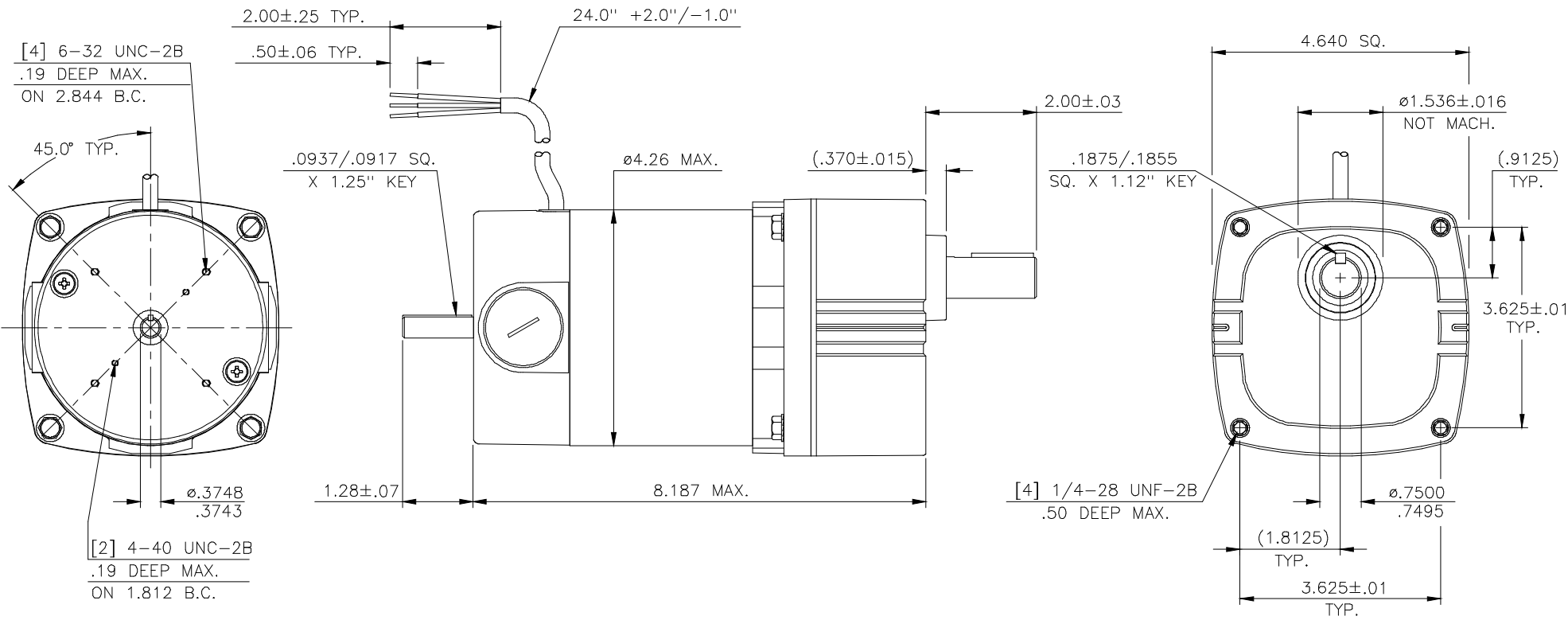


DESCRIPTION	GRMTR 42A3FPM-E
SHEET:	1/1
SCALE:	3:4
C	UNLESS OTHERWISE SPECIFIED: UNITS ARE IN INCHES [mm] TOLERANCE: .XX:±.01 .XXX:±.005 ANGLES: X':±3" X.X':±0.5"



REPRESENTATIVE OF MODEL NUMBER(S):
4573 4574 4575 4973 4974 4975