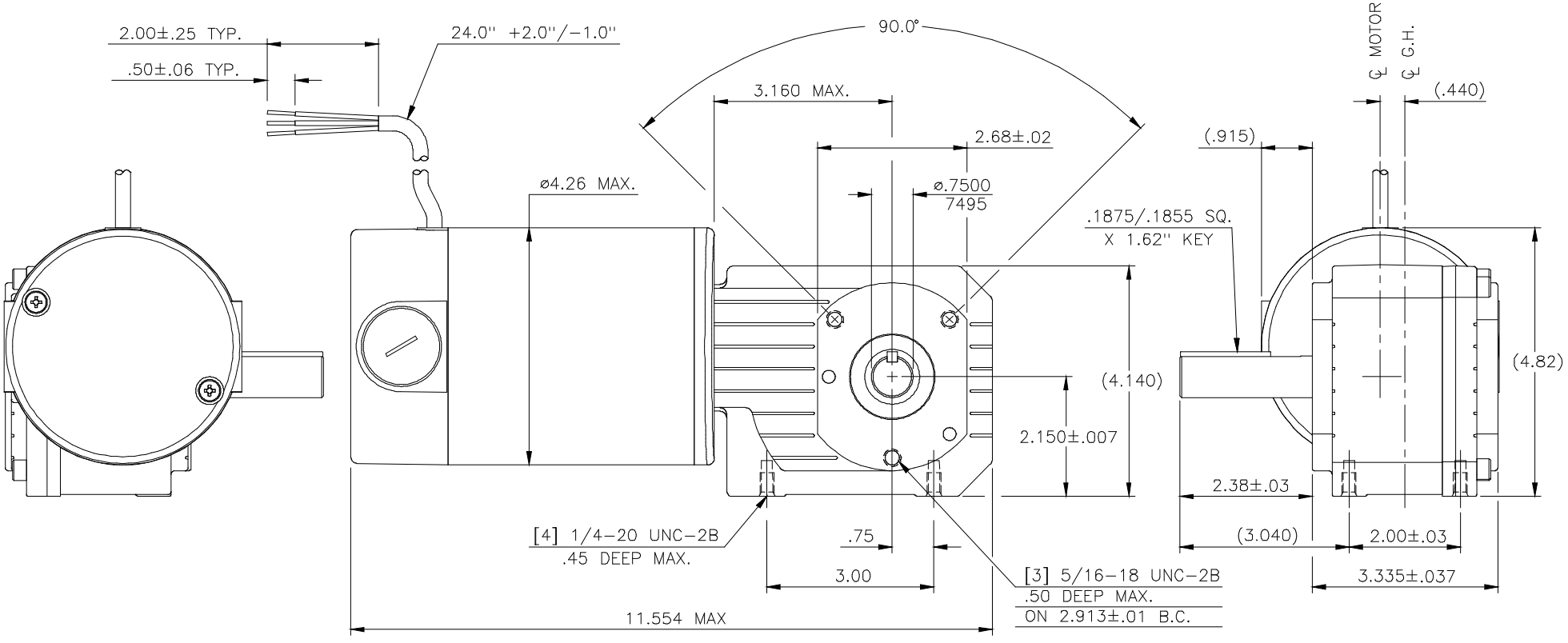




DESCRIPTION  
GRMTR 42A5BEPM-GB

SHEET:	1/1	UNLESS OTHERWISE SPECIFIED:
SCALE:	3:4	UNITS ARE IN INCHES [mm]
		TOLERANCE: .XX:±.01 .XXX:±.005
	C	ANGLES: X':±3° X.X':±0.5°



REPRESENTATIVE OF MODEL NUMBER(S):  
4060 4062 4064 4066 4760 4762 4764 4766